

## Presetting device D80/HSK40

### Technical data

**TH accessories category**

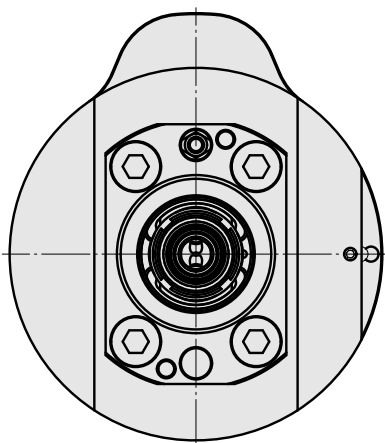
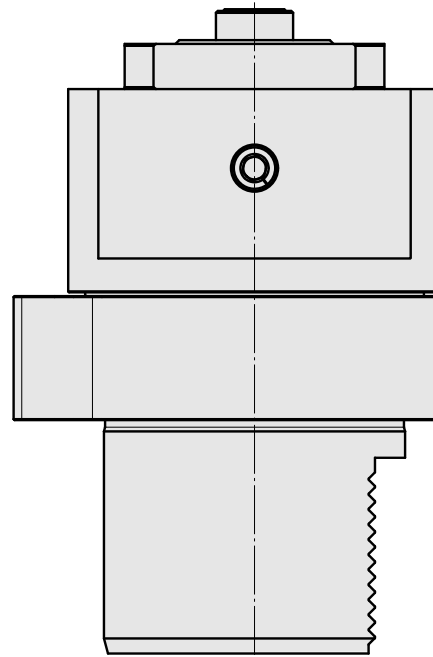
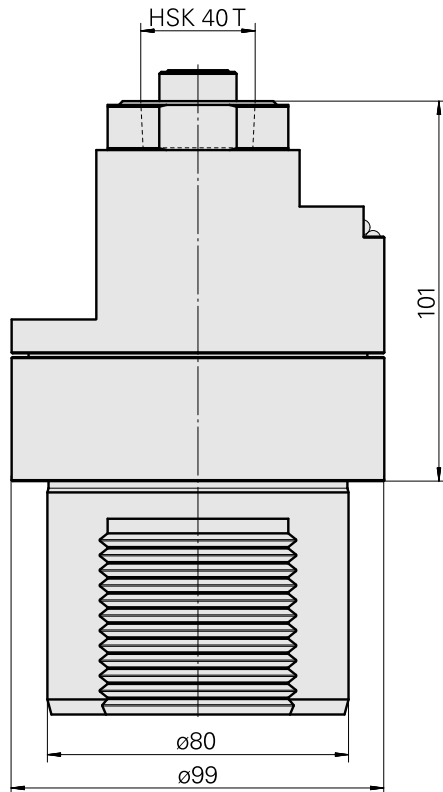
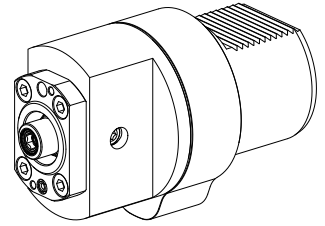
Adapter for presetting units

**Mounting**

D80 for presetting devices

**Tool mounting**

HSK 40



## **Documents**

No downloads available for this product