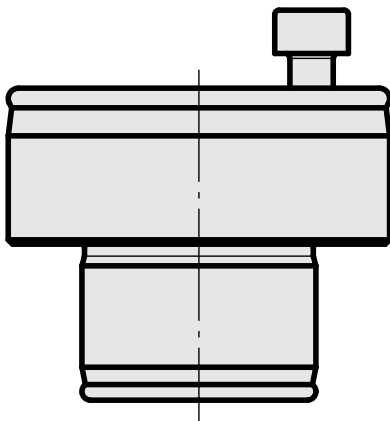
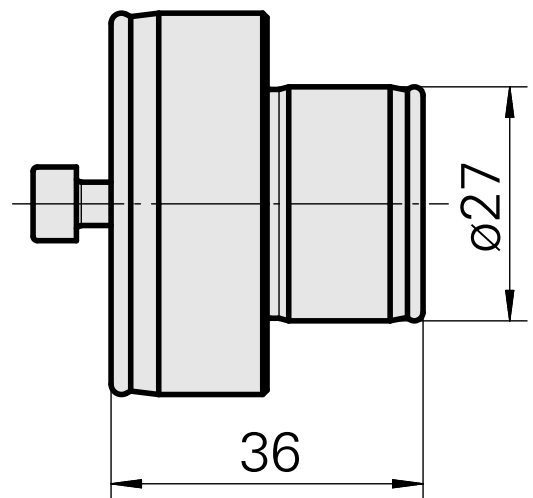
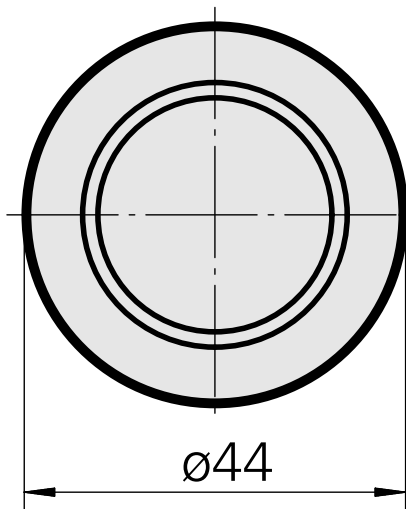
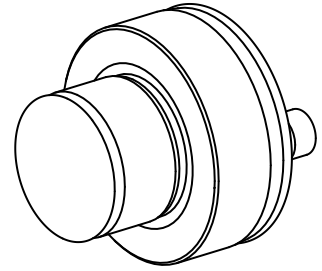


Base element, for presetting unit

Technical data

TH accessories category

Adapter pin D27



10562222
W9991053

INDEX

Documents

No downloads available for this product