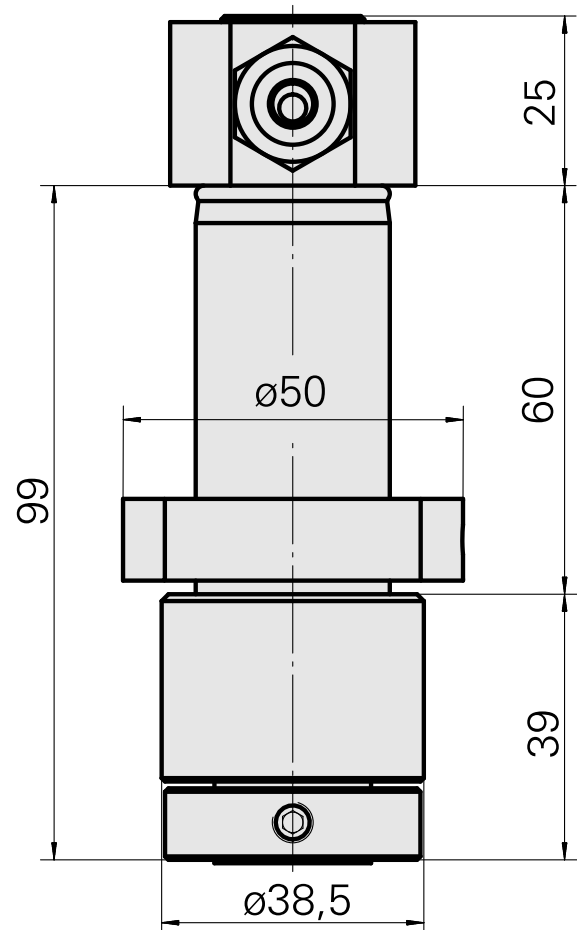
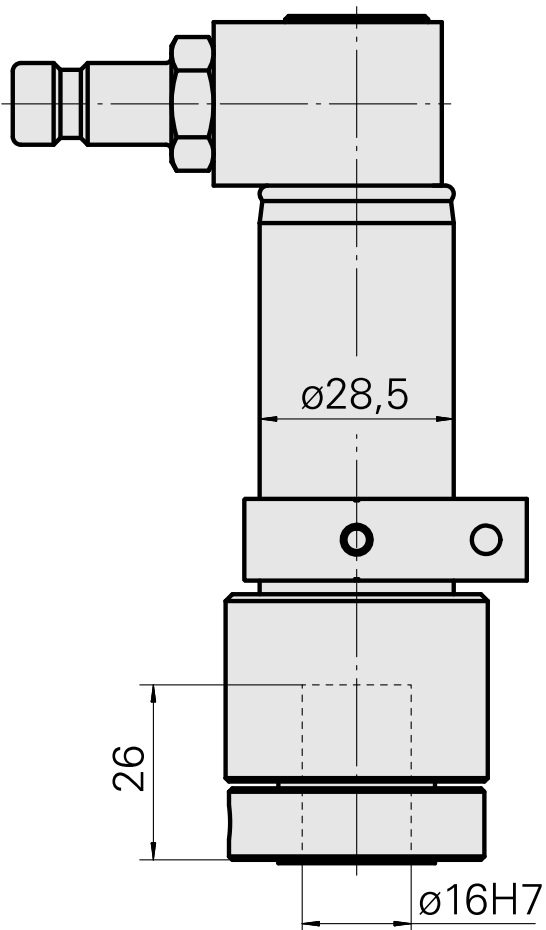
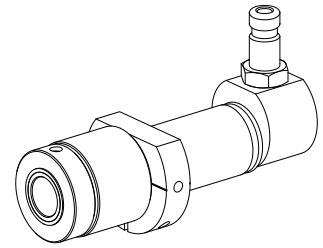


## Reaming tool holder D16

### Technical data

Drive	not live
Fixation MS	Clamping ring D28.5
Cooling	internal
Mounting	D16
X [mm]	-
Y [mm]	-
Z [mm]	-
INDEX TRAUB products	A100 • MS16-6 • MS22-6 • MS22-8 • MS24-6 • MS16-6 Plus



## **Documents**

No downloads available for this product

## **Accessories**

Optional accessories

**Other accessories**

[Clamping sleeve D16](#)

Product ID : 10981161

Previous product ID : W95280.215-

---