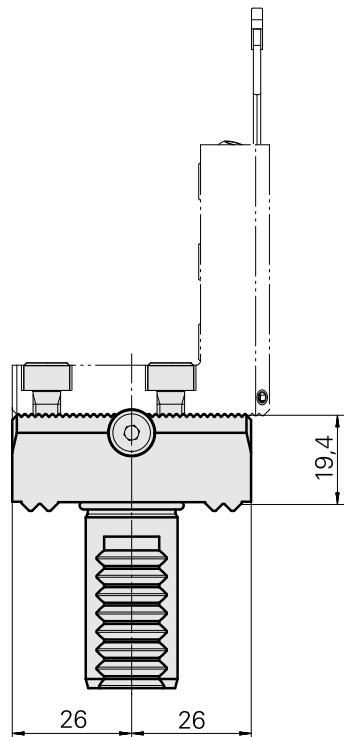
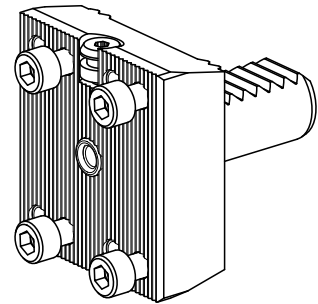


Basic holder VDI 20, vertically adjustable

Technical data

| | |
|----------------------|--------------|
| Shank VDI | VDI 20 |
| Drive | not live |
| Fixation VDI | W serration |
| Pressure | 80 bar |
| reversible 180° | no |
| X [mm] | 19.4 (0.76") |
| Y [mm] | – |
| Z [mm] | – |
| INDEX TRAUB products | C100 |



Documents

No downloads available for this product

Accessories

Optional accessories

Tool holders with VDI shank

[Grooving tool holding block Trapezoid 26, vertically adjustable](#)

Product ID : 10379601

Previous product ID : W9990003

| | | | |
|----------------------|---------------------|-----------------------|------------------------------|
| Drive not live | Cooling external | Pressure 20 bar | Mounting Trapezoid 26x4 |
| X [mm] 59 (2.32") | Y [mm] – | Z [mm] 18.5 (0.73) | INDEX TRAUB products C100 |

[Grooving tool holding block Trapezoid 26, vertically adjustable](#)

Product ID : 10976276

Previous product ID : W9990004

| | | | |
|----------------------|---------------------|-----------------------|------------------------------|
| Drive not live | Cooling external | Pressure 20 bar | Mounting Trapezoid 26x4 |
| X [mm] 59 (2.32") | Y [mm] – | Z [mm] 18.5 (0.73) | INDEX TRAUB products C100 |