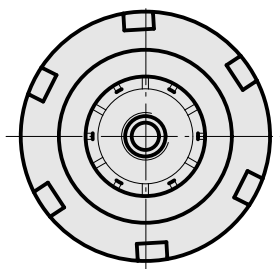
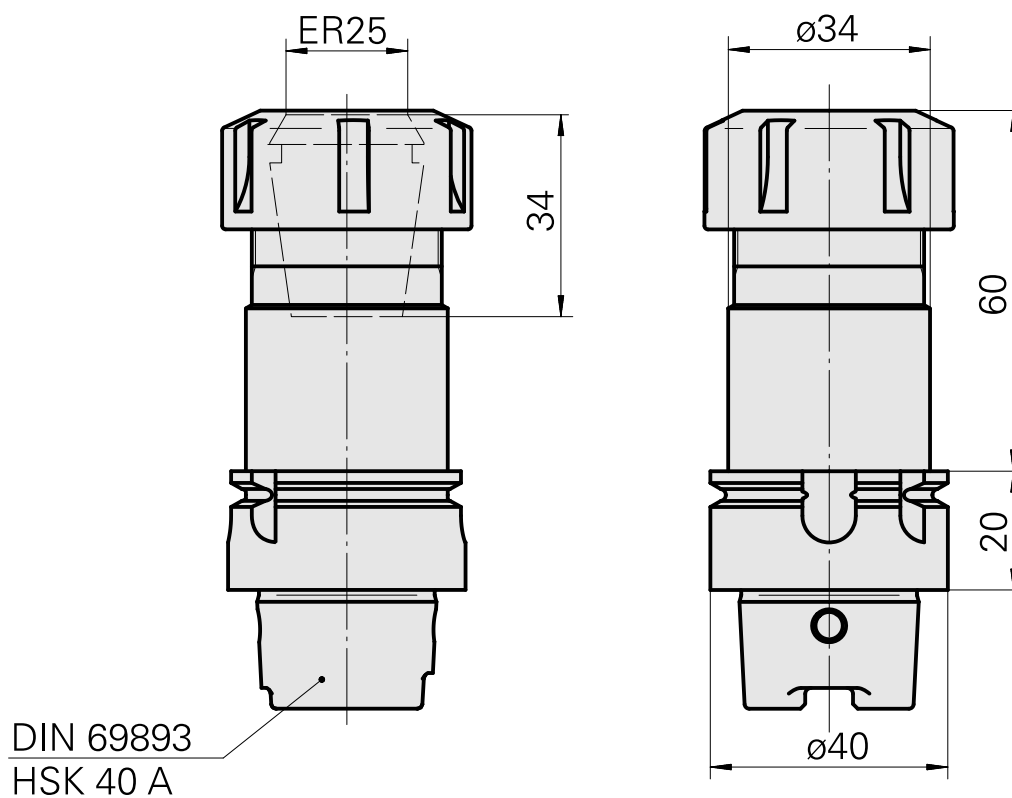
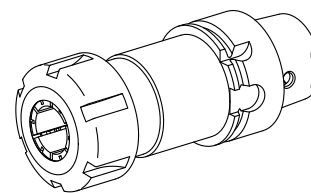


Drilling tool holder HSK 40 A ER25

Technical data

Shank HSK	HSK 40
Form HSK	A
Mounting	ER25
Cooling	internal
Pressure	80 bar
X [mm]	80 (3.15")
INDEX TRAUB products	G200.2 • R200 • TNX65/42 • G220.3 • TNX220.3



Documents

No downloads available for this product

Accessories

Required for operation

[Socket wrench](#)

Product ID : 10532354

Previous product ID : WS7400.0010

TH accessories
category
Tool for KSS adapter

Mounting
HSK 40 A/C

[Spanner](#)

Product ID : 10802433

Previous product ID : 490219.0251

TH accessories
category
Tool

Mounting
ER25

Collet type
ER 25

Clamping nut type
Female thread

Tools for Collet chucks
Clamping nut wrench

Optional accessories

Tool holder accessories

[Clamping nut](#)

Product ID : 10193990

Previous product ID : 901939.0251

TH accessories
category
Clamping nut

Mounting
ER25

Collet type
ER 25

Clamping nut type
Female thread

[Coolant adapter kit](#)

Product ID : 10581780
Previous product ID : WS7400.0020

TH accessories category Cooling lubricant transfer set	Mounting HSK 40 A/C
---	------------------------

[Coolant supply, max. 120 bar](#)

Product ID : 12024083
Previous product ID :

TH accessories category Cooling lubricant transfer set	Mounting HSK 40 A/C
---	------------------------

Other accessories

[Clamping collet](#)

Product ID : 10206464
Previous product ID : 901930.3---

[tapping tool collet ET-1-25](#)

Product ID : 10191234
Previous product ID : 3224--

[Clamping collet, sealed](#)

Product ID : 10698406
Previous product ID : W999085-

[tapping tool collet](#)

Product ID : 10256515
Previous product ID : WZ9990.9507F

[Collet chuck](#)

Product ID : 10029756
Previous product ID : W999067-
