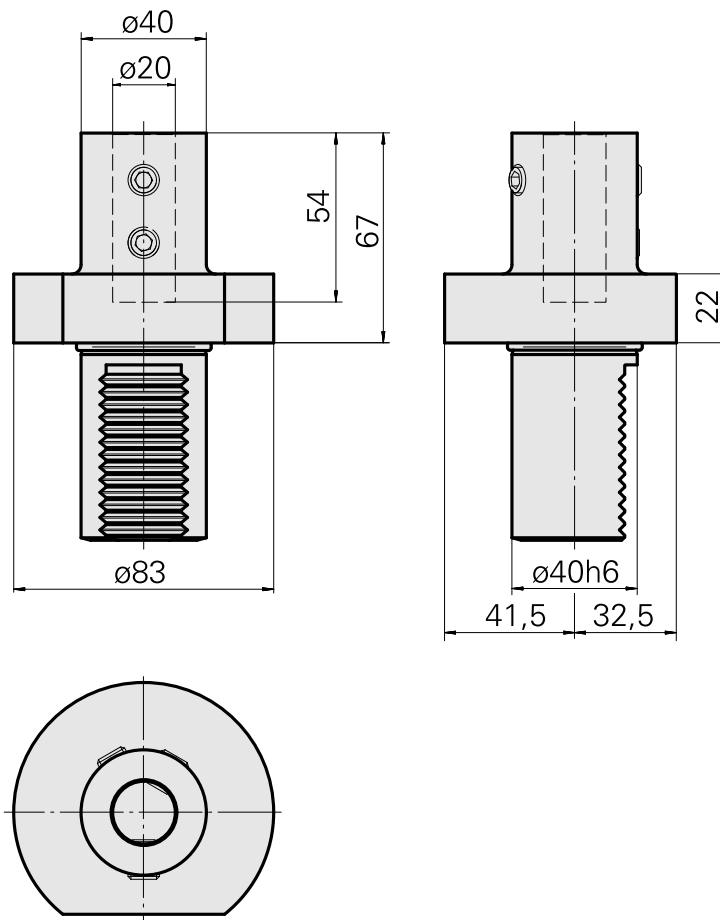


## Drilling tool holder VDI 40 DIN 1835 B/E, Form E1

### Technical data

Shank VDI	VDI 40
Drive	not live
Fixation VDI	none
Cooling	internal
Pressure	40 bar
Mounting	DIN 1835 B/E D20
reversible 180°	no
X [mm]	67 (2.64")
Y [mm]	–
Z [mm]	–
INDEX TRAUB products	V200 • V160C • V160G • V300 • TNA400 • B400 • B500 • TNA500.2 • TNA400.2 • TNA400.3 • B400.3 • B500.3 • TNA500.3



## Documents

No downloads available for this product

## Accessories

Optional accessories

### Other accessories

#### [Mounting sleeve D20](#)

Product ID : 10994732

Previous product ID : W62220.01--

---

#### [Mounting sleeve with collar D20](#)

Product ID : 10063939

Previous product ID : W68510.04--

---