

INDEX CAPTO C3 Milling shaft D22, with cutter tightening screw

Technical features

TH accessories category

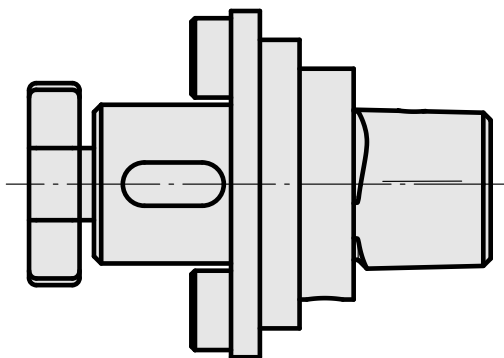
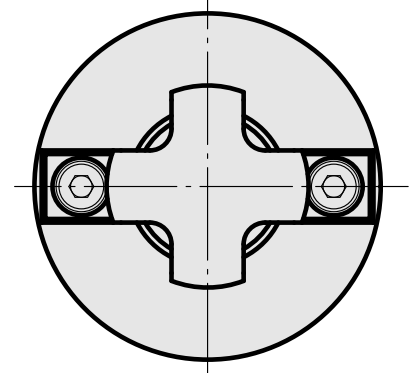
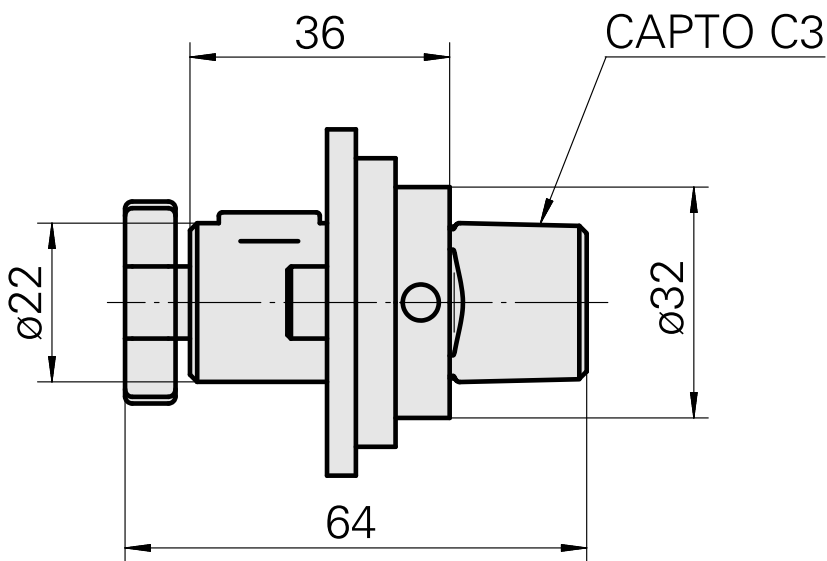
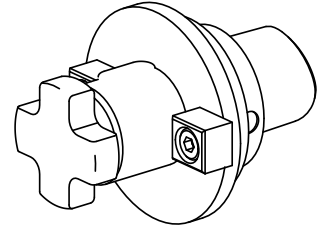
INDEX CAPTO C3

Mounting

Milling shaft D22

Quick change inserts

mill arbor mounting



Documents

No downloads available for this product

Accessories

Required for operation

[mill arbor wrench](#)

Product ID : 10428155

Previous product ID : 203020.1220

TH accessories
category
Tool

Mounting
Milling shaft D22

Tools for Collet chucks
Mill arbor wrench

Optional accessories

Tool holder accessories

[Screw](#)

Product ID : 10638143

Previous product ID : 250122.1028

TH accessories
category
Cutter tightening screw

Mounting
M10