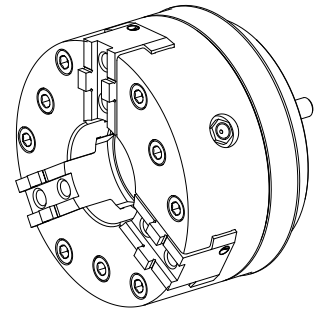


## 3-jaw chuck

### Technical data

<b>INDEX TRAUB products</b>	MS40-6 • MS40P
<b>Spindle clearance</b>	40mm
<b>Machining side</b>	Counter spindle
<b>manufacturer product line</b>	KFD-HS112/3
<b>Spindle mounting</b>	AP72
<b>manufacturer product line</b>	Roehm



No 3-side view is currently available for this product

---

## Documents

No downloads available for this product

## Accessories

### Optional accessories

#### Turcon® Glyd Ring®

##### [Shaft packing](#)

Product ID : 10417845

Previous product ID : 479160.0602

manufacturer product line Trelleborg	TSS material no.	Groove base diameter 52.5 Millimeter	Groove width 3.2 Millimeter
Bore diameter [mm] 60 Millimeter	manufacturer product line Turcon® Glyd Ring®		

#### O-Rings

##### [O-RING](#)

Product ID : 10913241

Previous product ID : 479108.0371

manufacturer product line Trelleborg	TSS material no.	Cord size 1.78 Millimeter	manufacturer product line O-ring
---	------------------	------------------------------	-------------------------------------

#### Other accessories

##### [Socket head screw](#)

Product ID : 10997130

Previous product ID : 410260.0820

---

##### [Threaded bush](#)

Product ID : 10551192

Previous product ID : M82011.40

---

10254917  
908127.5281

**INDEX**

---

Boring fixture

Product ID : 10916716

Previous product ID : 908127.8001

---