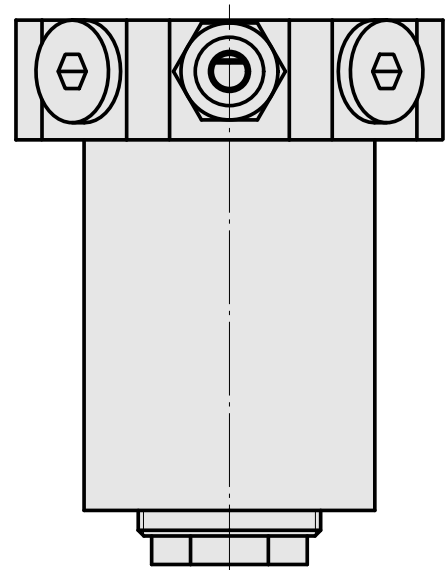
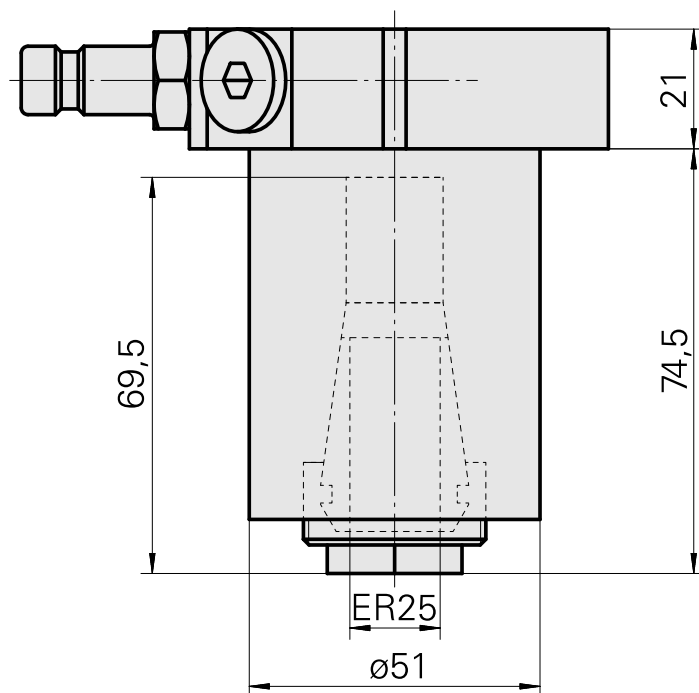
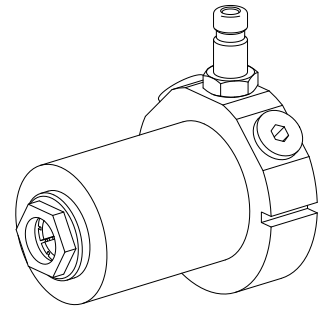


Drilling tool holder ER25

Technical data

| | |
|----------------------|-------------------|
| Drive | not live |
| Fixation MS | Clamping ring D51 |
| Cooling | internal |
| Pressure | 80 bar |
| Mounting | ER25 |
| X [mm] | - |
| Y [mm] | - |
| Z [mm] | 74.5 (2.93) |
| INDEX TRAUB products | MS52C • MS52-6.3 |



Documents

No downloads available for this product

Accessories

Required for operation

[Spanner](#)

Product ID : 10179444

Previous product ID : 490219.3251

| | | | |
|--|------------------|----------------------|----------------------------------|
| TH accessories category Tool | Mounting ER25 | Collet type ER 25 | Clamping nut type Male thread |
| Tools for Collet chucks Clamping nut wrench | | | |

[Fork spanner](#)

Product ID : 10681489

Previous product ID : 203001.2427

Optional accessories

Tool holder accessories

[Clamping nut](#)

Product ID : 10630063

Previous product ID : 901939.5251

| | | | |
|---|------------------|----------------------|----------------------------------|
| TH accessories category Clamping nut | Mounting ER25 | Collet type ER 25 | Clamping nut type Male thread |
|---|------------------|----------------------|----------------------------------|

Other accessories

[Clamping collet](#)

Product ID : 10206464

Previous product ID : 901930.3---

10226103
W5190107

INDEX

[tapping tool collet ET-1-25](#)

Product ID : 10191234
Previous product ID : 3224--

[tapping tool collet](#)

Product ID : 10256515
Previous product ID : WZ9990.9507F

[Collet chuck](#)

Product ID : 10029756
Previous product ID : W999067-
