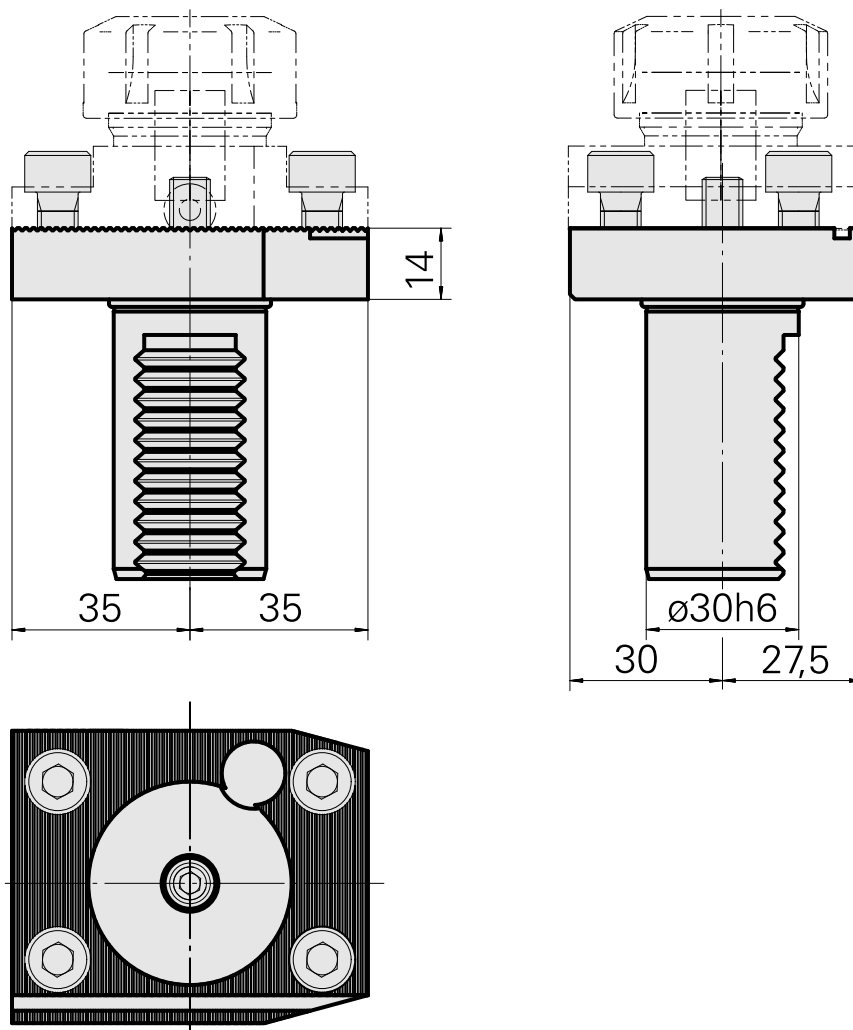
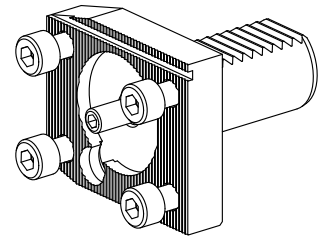


Basic holder VDI 30, vertically adjustable

Technical data

| | |
|----------------------|------------------------------------------------|
| Shank VDI | VDI 30 |
| Drive | not live |
| Fixation VDI | none |
| Pressure | 20 bar |
| reversible 180° | no |
| Data carrier | check tool station bore |
| X [mm] | 14 (0.55") |
| Y [mm] | – |
| Z [mm] | – |
| INDEX TRAUB products | V100 • V200 • V160C • V160G • V300 • TNA300 |



Documents

No downloads available for this product

Accessories

Optional accessories

Tool holders with VDI shank

[Drill holding block D32 \(1.26 "\)](#)

Product ID : 10193528

Previous product ID : W9990093

| | | | |
|-------------------|--------------------|------------------------------------------------------------------------------------------------------------------------------------------------------------------------------------------------------------------------------------------------------------------------------------------------------|----------------------|
| Drive not live | Pressure 40 bar | Mounting D32 | X [mm] 57 (2.24") |
| Y [mm] - | Z [mm] - | INDEX TRAUB products C42/65 • G160 • G300 • G400 • TNX80 • V100 • V200 • A200-6 • ABC • C100 • C200 • G200 • G200.2 • G220 • G250 • TNX65/42 • V160C • V160G • V300 • TNA300 • B400 • B500 • TNA500.2 • TNA400.2 • ABC.2 • B400.3 • B500.3 • TNA400.3 • TNA500.3 | |

Drill holding block ER25

Product ID : 10374519

Previous product ID : W9990092

| | | | |
|----------------------|----------------------------------|--------------------|------------------------------------------------------------------------------------------------------------------------------------------------------------------------------------------------------------------------------------------------------------------------------------------------------|
| Drive not live | Cooling external and internal | Pressure 40 bar | Mounting ER25 |
| X [mm] 30 (1.18") | Y [mm] - | Z [mm] - | INDEX TRAUB products C42/65 • G160 • G300 • G400 • TNX80 • V100 • V200 • A200-6 • ABC • C100 • C200 • G200 • G200.2 • G220 • G250 • TNX65/42 • V160C • V160G • V300 • TNA300 • B400 • B500 • TNA500.2 • TNA400.2 • ABC.2 • B400.3 • B500.3 • TNA400.3 • TNA500.3 |

Other accessories

Tube 14er KUGEL, ca 50 lang

Product ID : 10205280

Previous product ID : W63210.2006
