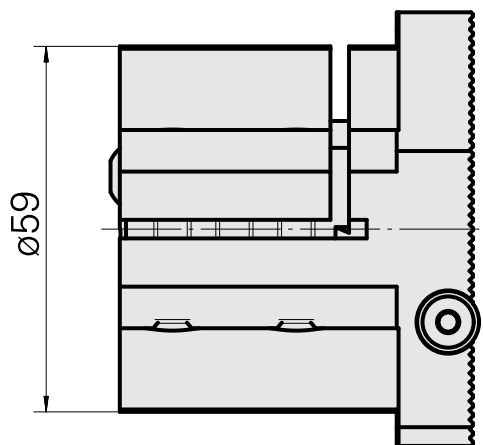
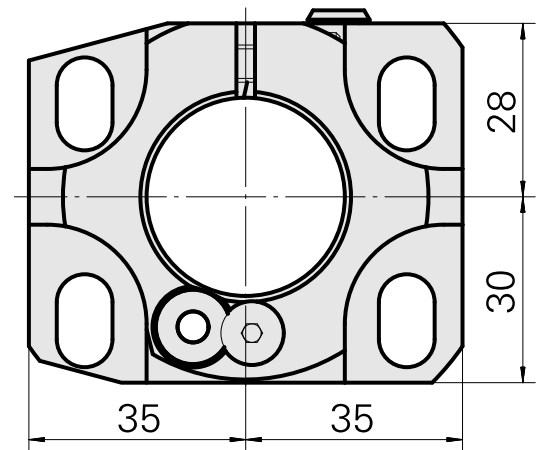
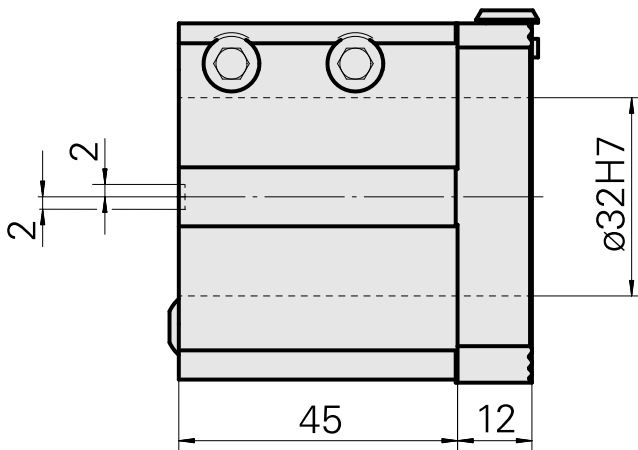
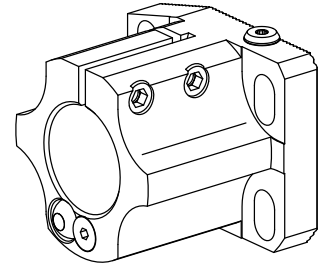


## Drill holding block D32 (1.26 ")

### Technical data

<b>Drive</b>	not live
<b>Pressure</b>	40 bar
<b>Mounting</b>	D32
<b>X [mm]</b>	57 (2.24")
<b>Y [mm]</b>	-
<b>Z [mm]</b>	-
<b>INDEX TRAUB products</b>	C42/65 • G160 • G300 • G400 • TNX80 • V100 • V200 • A200-6 • ABC • C100 • C200 • G200 • G200.2 • G220 • G250 • TNX65/42 • V160C • V160G • V300 • TNA300 • B400 • B500 • TNA500.2 • TNA400.2 • ABC.2 • B400.3 • B500.3 • TNA400.3 • TNA500.3



## Documents

No downloads available for this product

## Accessories

Optional accessories

**Other accessories**

[Mounting sleeve D32](#)

Product ID : 10022842

Previous product ID : W63220.02--

---