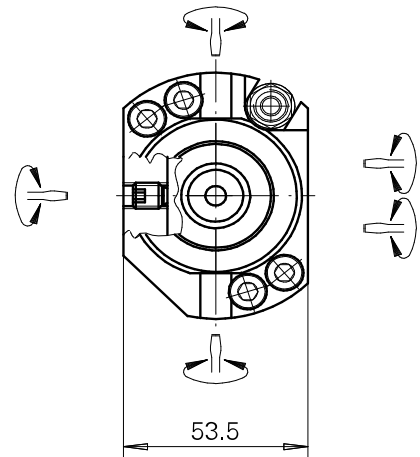
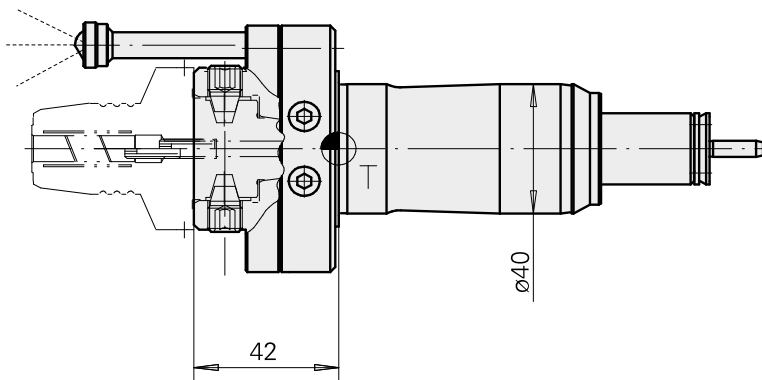
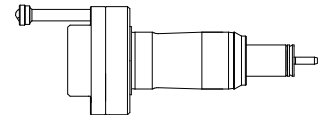


Basic holder Shank 40 WFB 32-20

Technical data

Shank TNL	Shank 40
Drive	not live
Cooling	external and internal
Pressure	120 bar
Mounting	WFB 32-20
INDEX TRAUB products	TNK36 • TNL26



Documents

Product notes

[DE \(pdf\)](#)

[EN \(pdf\)](#)

[FR \(pdf\)](#)

[PT \(pdf\)](#)

Accessories

Optional accessories

Other accessories

[Shrink WFB 32-20 adapter](#)

Product ID : 10726868

Previous product ID : WZ9990.3206F

[Adapter WFB 32-20 Weldon](#)

Product ID : 10305353

Previous product ID : WZ9990.3207F

[Adapter WFB 32-20 with collet mounting](#)

Product ID : 10298507

Previous product ID : WZ9990.3208F

[adapter WFB 32-20 mill arbor mounting](#)

Product ID : 10640736

Previous product ID : WZ9990.3209F

[WFB hydr. expansion mounting](#)

Product ID : 10946690

Previous product ID : WZ9990.3210F

10186163
836358

INDEX

[Adapter WFB 32-20 Horn S-Mini](#)

Product ID : 10546762

Previous product ID : WZ9990.3211F

[adapter WFB 32-20Turning holder](#)

Product ID : 11010003

Previous product ID : WZ9990.3212F

[Grub screw M10x1x11](#)

Product ID : 10165359

Previous product ID : 326057
