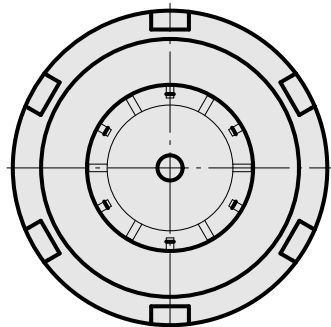
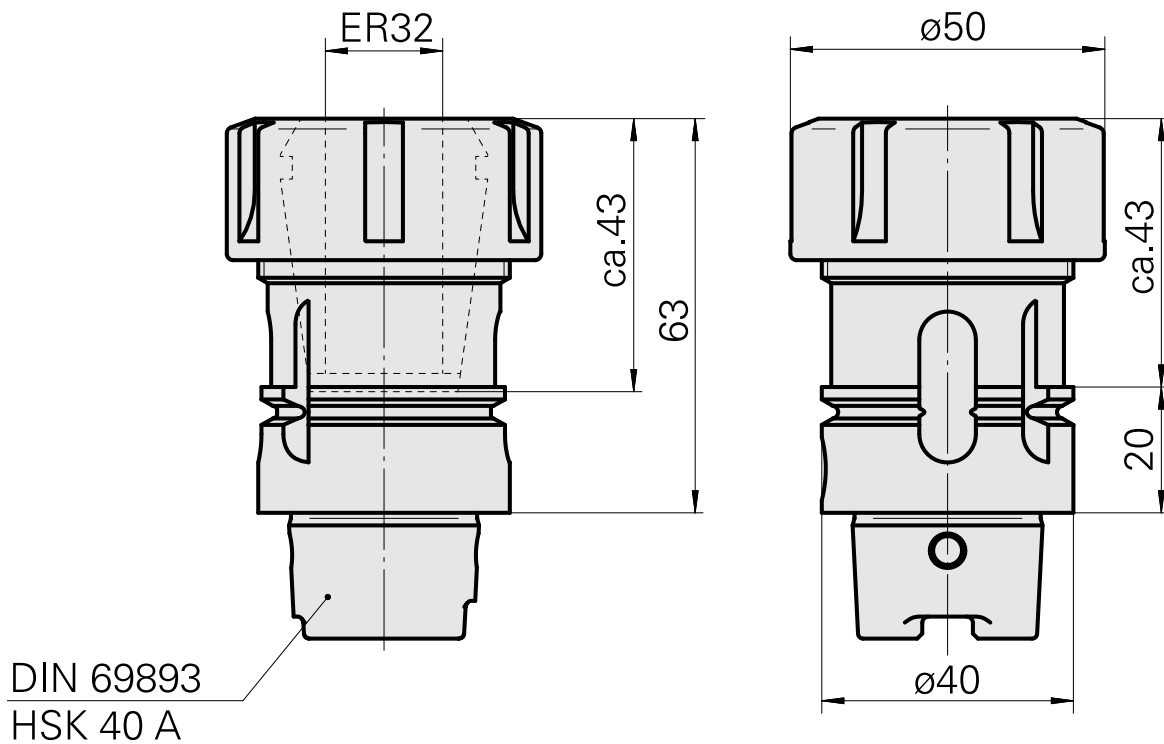


## Drilling tool holder HSK 40 A ER32

### Technical data

|                      |   |
|----------------------|---|
| Shank HSK            | HSK 40  |
| Form HSK             | A   |
| Mounting             | ER32  |
| Cooling              | internal  |
| Pressure             | 80 bar  |
| X [mm]               | 63 (2.48")  |
| INDEX TRAUB products | G160 • V100 • G200.2 • G220<br>• R200 • TNX65/42 • G220.3 •<br>TNX220.3 |



---

## Documents

No downloads available for this product

## Accessories

Required for operation

### Spanner

Product ID : 10181051

Previous product ID : 490219.0321

|  |                  |                      |                                    |
|--|------------------|----------------------|------------------------------------|
| TH accessories category<br>Tool                | Mounting<br>ER32 | Collet type<br>ER 32 | Clamping nut type<br>Female thread |
| Tools for Collet chucks<br>Clamping nut wrench |                  |                      |                                    |

### Socket wrench

Product ID : 10532354

Previous product ID : WS7400.0010

|   |                        |
|---|------------------------|
| TH accessories category<br>Tool for KSS adapter | Mounting<br>HSK 40 A/C |
|---|------------------------|

## Optional accessories

### Tool holder accessories

### Clamping nut

Product ID : 10117729

Previous product ID : 901939.0321

|   |                  |                      |                                    |
|---|------------------|----------------------|------------------------------------|
| TH accessories category<br>Clamping nut | Mounting<br>ER32 | Collet type<br>ER 32 | Clamping nut type<br>Female thread |
|---|------------------|----------------------|------------------------------------|

---

### [Coolant adapter kit](#)

Product ID : 10581780

Previous product ID : WS7400.0020

TH accessories  
category  
Cooling lubricant  
transfer set

Mounting  
HSK 40 A/C

### [Coolant supply, max. 120 bar](#)

Product ID : 12024083

Previous product ID :

TH accessories  
category  
Cooling lubricant  
transfer set

Mounting  
HSK 40 A/C

### **Other accessories**

### [Clamping collet](#)

Product ID : 10187712

Previous product ID : 901930.6---

---

### [tapping tool collet ET-1-32](#)

Product ID : 10640099

Previous product ID : 3242--

---

### [tapping tool collet](#)

Product ID : 10601144

Previous product ID : WZ9990.9509F

---

### [Collet chuck](#)

Product ID : 10659178

Previous product ID : W999068-

---