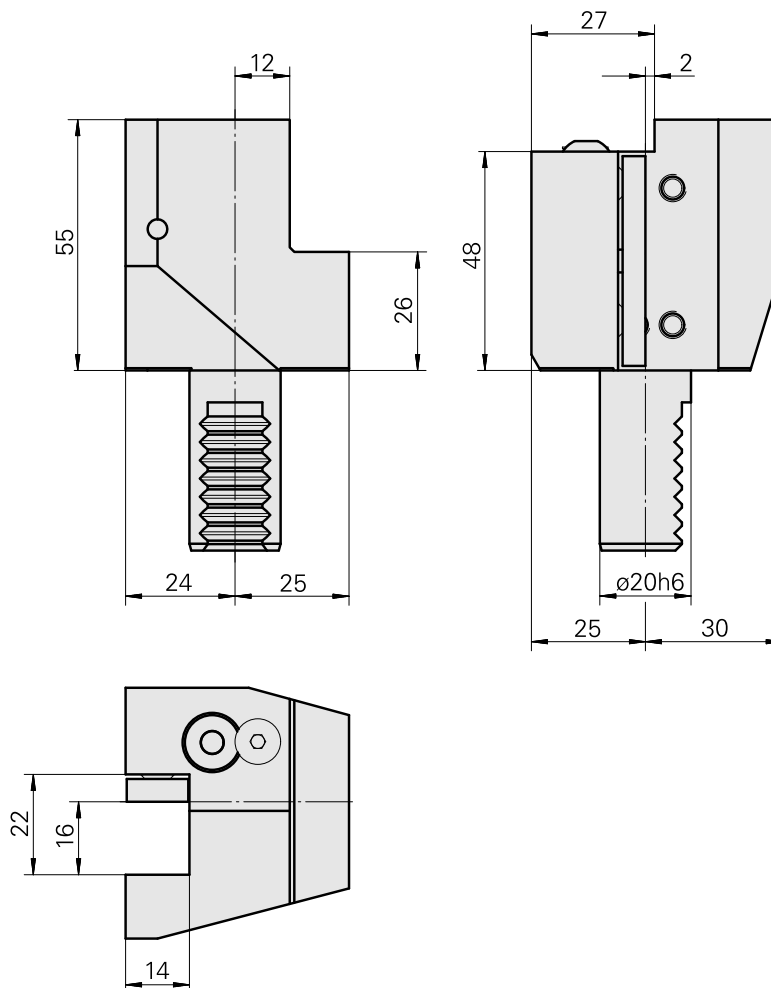
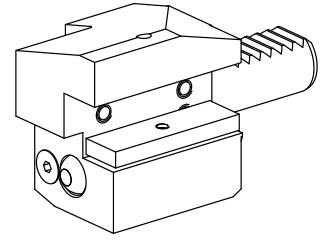


## Turning tool holder VDI 20 square 16x16, Form C3

### Technical data

|                      |              |
|----------------------|--------------|
| Shank VDI            | VDI 20       |
| Drive                | not live     |
| Fixation VDI         | none         |
| Cooling              | external     |
| Pressure             | 20 bar       |
| Mounting             | Square 16x16 |
| reversible 180°      | no           |
| X [mm]               | 55 (2.17")   |
| Y [mm]               | –            |
| Z [mm]               | 24 (0.94)    |
| INDEX TRAUB products | C100         |



## Documents

No downloads available for this product

## Accessories

Optional accessories

### Other accessories

#### [Nozzle](#)

Product ID : 10357365

Previous product ID : W64220.0204

---

#### [Countersunk screw 8.8 Torx M 5x12 14581 M 5x12/T25 verzinkt 402315 12](#)

Product ID : 10607371

Previous product ID : 410362.0512

---