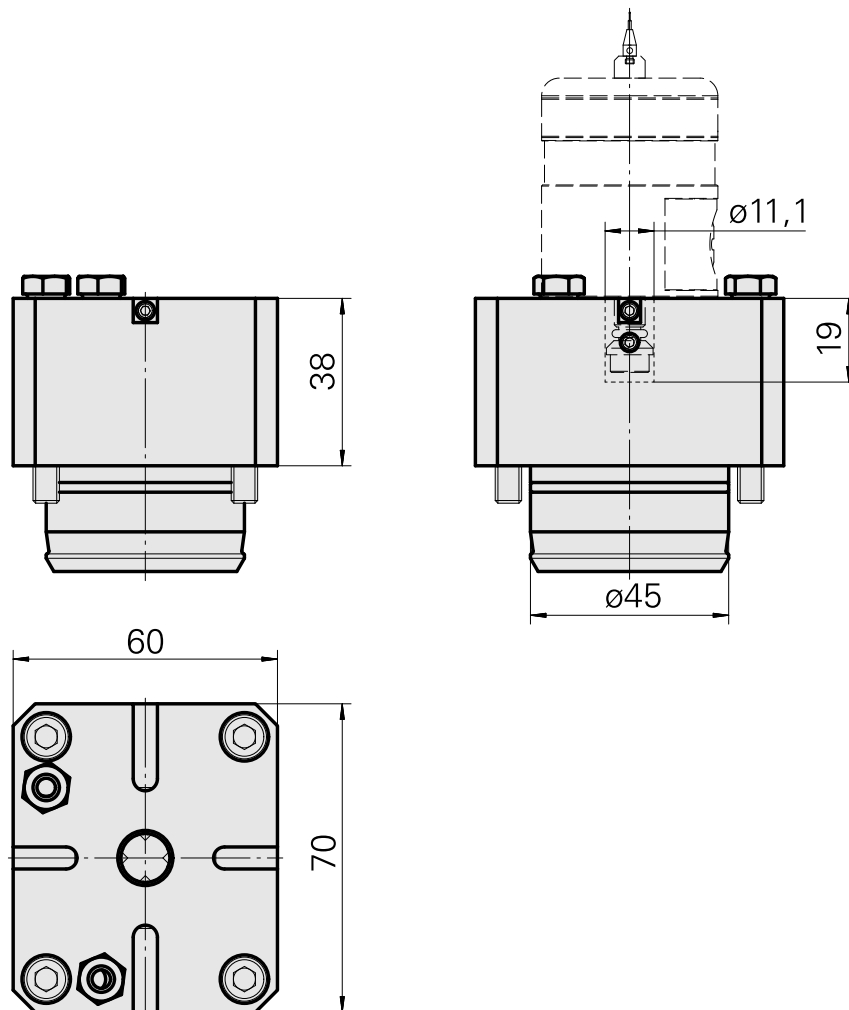


## Probe holder KPS 45 Renishaw D11,2

### Technical data

<b>Shank KPS</b>	KPS 45
<b>Drive</b>	not live
<b>Cooling</b>	external
<b>Mounting</b>	Renishaw D11,2
<b>Pressure</b>	80 bar
<b>X [mm]</b>	38 (1.50")
<b>Y [mm]</b>	-
<b>Z [mm]</b>	-
<b>INDEX TRAUB products</b>	TNL20 • TNL32 • TNL32-11 • TNL32-11 compact • TNL20-11 • TNL32 compact • TNK40.2-10 • TNK40.2-8 • TNL20.2



---

## Documents

No downloads available for this product

## Accessories

Required for operation

### Not defined

Product ID : 12133465

Previous product ID :

---

### Push-button insert

Product ID : 12133466

Previous product ID :

---

### Probe

Product ID : 10338967

Previous product ID : 487542.1441

---

## Optional accessories

### Tool holder accessories

#### Coolant tube, L=100 mm (3.93")

Product ID : 10309869

Previous product ID : W9990658

TH accessories  
category  
Cooling lubricant tube

Mounting  
D6

### Other accessories

#### Conical ring DIN 3862-6-St

Product ID : 10528470

Previous product ID : 471060.0601

---

10089784  
W7040029

**INDEX**

---

THREADED BUSHING M10x1 Stahl verzinkt A3C

Product ID : 10707394

Previous product ID : 471112.06

---

Case A-2033-7001

Product ID : 10259626

Previous product ID : 487542.0911

---