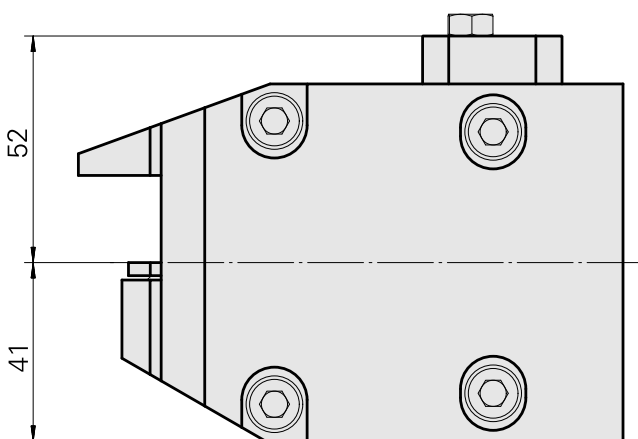
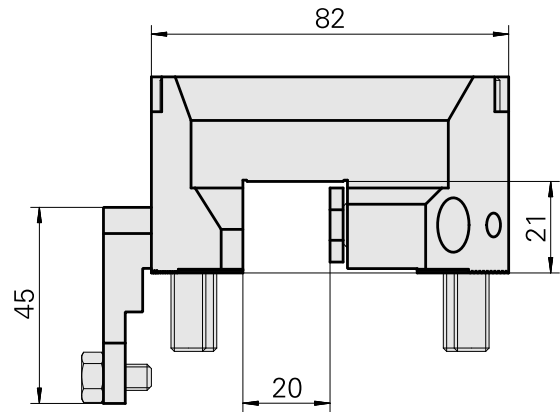
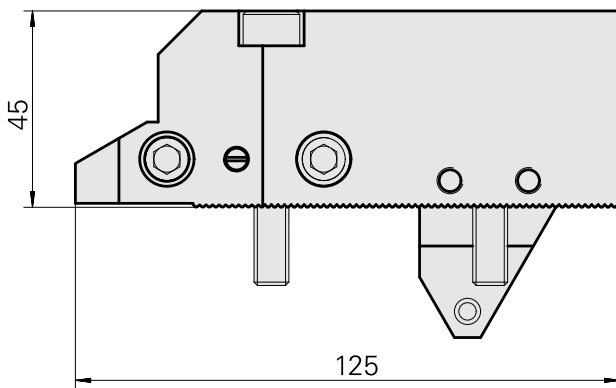
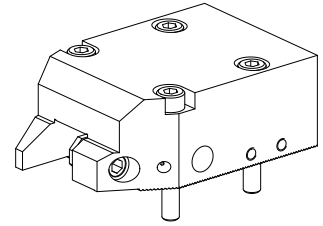


Grooving tool holding block Square 20x20

Technical data

Drive	not live
Direction	right-handed run
Mounting	Square 20x20
X [mm]	125 (4.92")
Y [mm]	-
Z [mm]	45 (1.77)
INDEX TRAUB products	MS52C • MS52-6.3



Documents

No downloads available for this product

Accessories

Optional accessories

Tool holder accessories

[Angle, height 8 mm \(0.31"\), width 8 mm \(0.31"\)](#)

Product ID : 10271441

Previous product ID : W63300.0010

TH accessories category	Mounting Square 20x20
Compensation bracket	

[Angle, Height 4 mm, Width 4 mm](#)

Product ID : 10135472

Previous product ID : W63300.0020

TH accessories category	Mounting Square 20x20
Compensation bracket	