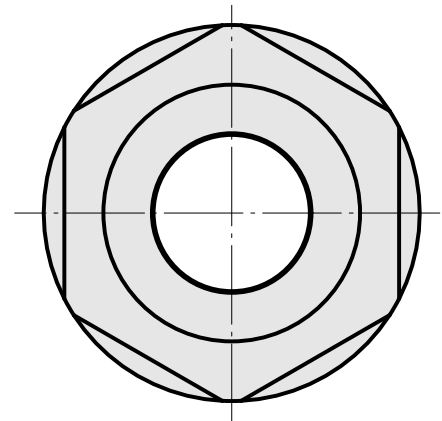
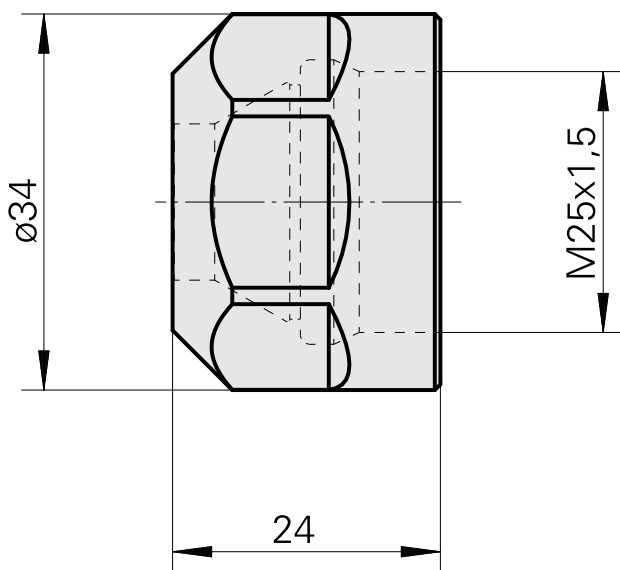
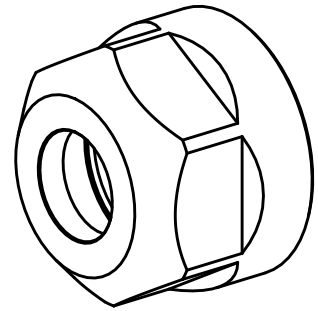


## Clamping nut, for internal cooling lubricant supply

### Technical data

TH accessories category	Clamping nut
Mounting	ER20
Collet type	ER 20
Clamping nut type	Female thread



## **Documents**

No downloads available for this product