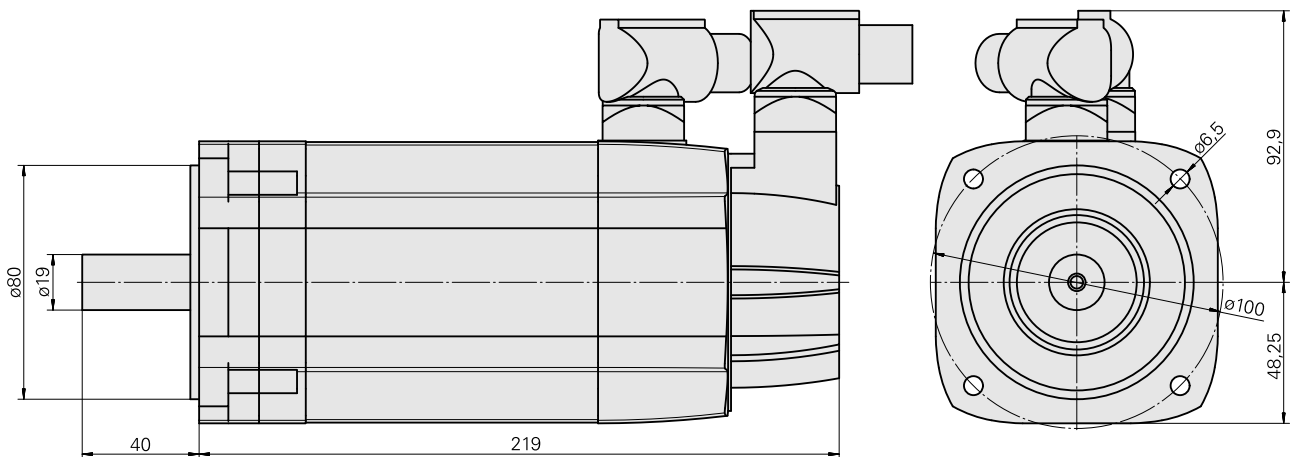
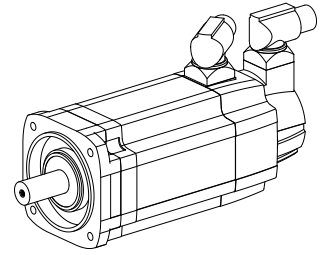


## AC motor

### Technical data

<b>manufacturer product line</b>	Siemens
<b>Electrical assemblies</b>	Servomotor
<b>manufacturer product line</b>	1FT7
<b>Voltage</b>	600 Volt
<b>(Nominal) speed (rpm)</b>	4500 1/minute • 6000 1/minute
<b>Rated power W</b>	1400 Watt
<b>(Stall) torque [Nm]</b>	5 Newton/meter
<b>Plug connection/type</b>	M23 (size 1 / encoder)
<b>Protection class</b>	IP65
<b>Encoder resolution (ST)</b>	2048 Piece
<b>Encoder type</b>	Increment
<b>Brake</b>	no – unbraked
<b>Motor design</b>	IM B5



## **Documents**

No downloads available for this product