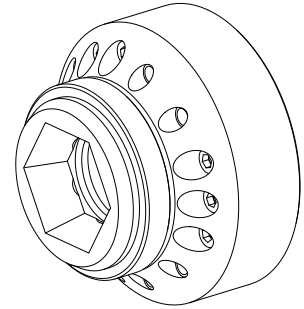


Collet chuck

Technical data

INDEX TRAUB products	MS24-6
Spindle clearance	24mm
Machining side	Synchronous spindle
Ext. manufact. product feature	Kombi Axfix
manufacturer product line	TOPlus chuck
Spindle mounting	IP100
Clamping device size	SK24
manufacturer product line	Hainbuch



No 3-side view is currently available for this product

Documents

No downloads available for this product