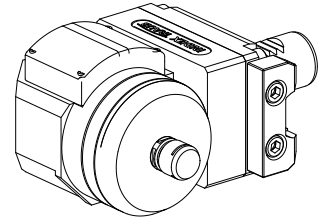


Fluid spindle VDI 25 ER11, up to 55,000 rpm

Technical data

Shank VDI	VDI 25
Drive	Fluid
Fixation VDI	Vee bar
Cooling	external
Pressure	40 bar
Mounting	ER11
X [mm]	70 (2.76")
Y [mm]	–
Z [mm]	66 (2.60)
INDEX TRAUB products	ABC • G200 • C42/65 • G160 • C100 • C200 • G200.2 • ABC.2 • MS22-6 • MS22-8

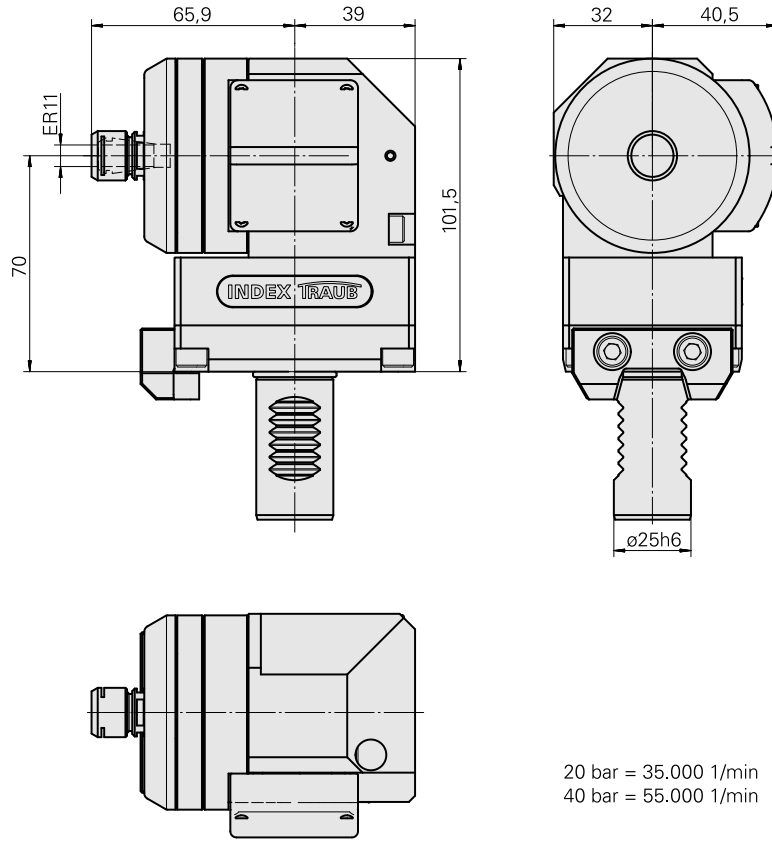


Note

The maximum permitted pressure is 40 bar! The stated speeds are reference values. The actual speed depends on the flow rate and the pressure at the transfer position, and on the type of the cooling lubricant! During machining, the speed must not fall more than 10% below the idle speed.

If this limit is exceeded, the load limit is surpassed, and the fluid spindle must not continue to operate.

Failure to comply may result in short-term spindle failures.



Documents

No downloads available for this product

Accessories

Required for operation

[CRT screen, Display, external](#)

Product ID : 10926895

Previous product ID : W9991093

TH accessories
category
Accessories for fluid
spindle

Optional accessories

Tool holder accessories

[Cover](#)

Product ID : 12100799

Previous product ID :

TH accessories
category
Accessories for fluid
spindle

[Spanner](#)

Product ID : 12126975

Previous product ID :

TH accessories
category
Accessories for fluid
spindle

[Battery, battery for fluid spindle](#)

Product ID : 10648494

Previous product ID : W9991143

TH accessories
category
Accessories for fluid
spindle

[Clamping nut](#)

Product ID : 10213109

Previous product ID : W9991215

TH accessories
category
Clamping nut

Mounting
ER11

Collet type
ER 11

Clamping nut type
Internal thread hf
spindles

[Spanner](#)

Product ID : 10985217

Previous product ID : W9991216

TH accessories
category
Tool

Mounting
ER11

Collet type
ER 11

Clamping nut type
Internal thread hf
spindles

Tools for Collet chucks
Clamping nut wrench

Other accessories

[Clamping collet](#)

Product ID : 10086829

Previous product ID : 901930.0---

[Collet chuck](#)

Product ID : 10132309

Previous product ID : W999064-
