

## 3-jaw chuck

### Technical data

**INDEX TRAUB products**

B400 • TNA400.2 • B400.3 •  
TNA400.3

**Spindle clearance**

82mm

**Machining side**

Main spindle

**manufacturer product line**

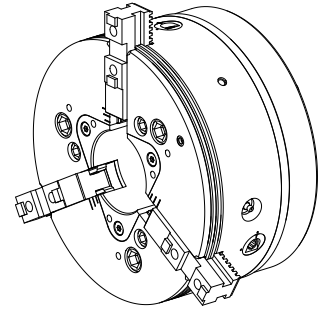
ROTA THW PLUS 260-81 A8

**Spindle mounting**

KK 8

**manufacturer product line**

Schunk



No 3-side view is currently available for this product

## **Documents**

No downloads available for this product

## **Accessories**

Optional accessories

**Other accessories**

[Cover](#)

Product ID : 10559129

Previous product ID : 887836

---