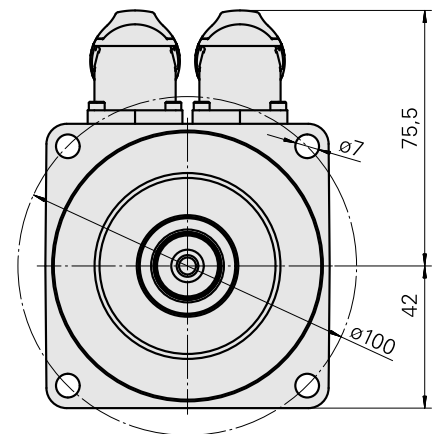
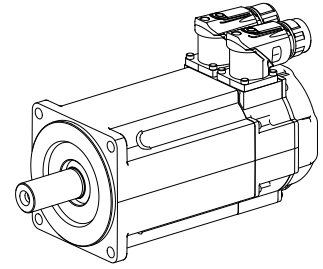


AC-Motor 3,53Nm6000 600V

Technical data

| | |
|---------------------------|------------------------|
| manufacturer product line | Kollmorgen |
| Electrical assemblies | Servomotor |
| manufacturer product line | AKM |
| Length | 165.8 Millimeter |
| Width | 84 Millimeter |
| Height | 116 Millimeter |
| Voltage | 600 Volt |
| Voltage type | AC~ |
| (Nominal) speed (rpm) | 6000 1/minute |
| Rated power W | 1370 Watt |
| (Stall) torque [Nm] | 3.53 Newton/meter |
| Plug connection/type | M23 (size 1 / encoder) |
| Encoder type | Increment |
| Brake | no – unbraked |



Documents

No downloads available for this product