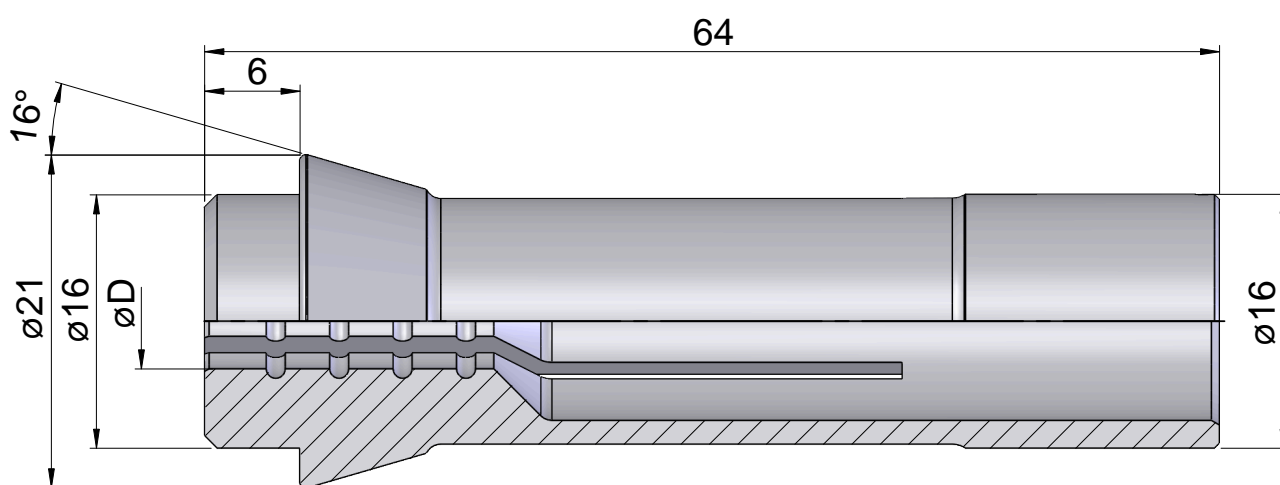
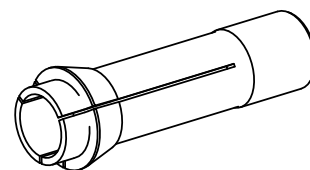


## Clamping collet 1212E/F16 Ø=10,00

### Technical data

Clamping device size	1212E/F16
manufacturer product line	
Clamping type	grooved
Nominal diameter (mm)	10 Millimeter
Clamping method	External clamping
Collet version	Slots vulcanized (standard)
manufacturer product line	Schlenker



## **Documents**

No downloads available for this product