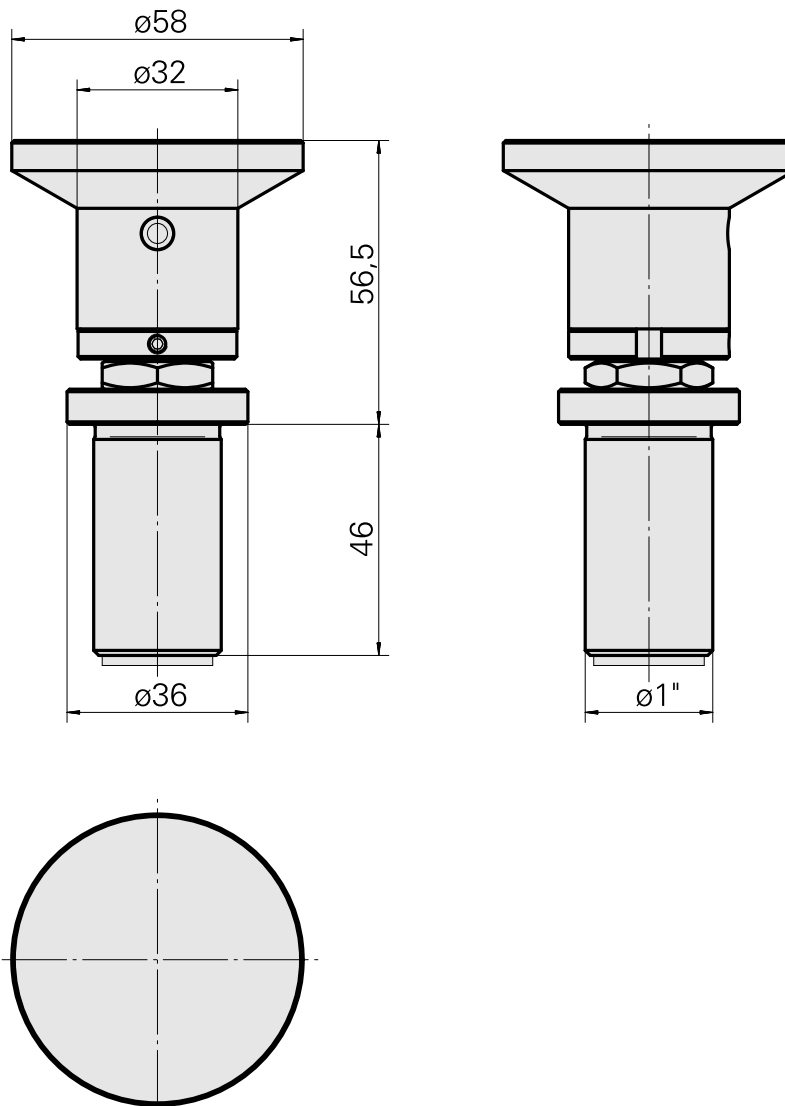
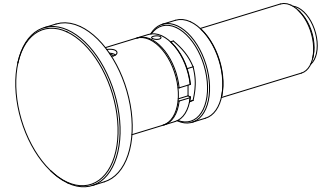


## Bar stop 1", adjustable, live

### Technical data

|                      |  |
|----------------------|--|
| Shank VDI            | 1"   |
| Drive                | not live   |
| Fixation VDI         | none   |
| X [mm]               | 58 - 94 (2.28" - 3.70")  |
| Y [mm]               | -  |
| Z [mm]               | -  |
| INDEX TRAUB products | MS32C • MS52C • V100 • V200 •<br>A200-6 • MS32-6.2 • MS40-6 •<br>MS40-8 • V160C • V160G • V300 |



## **Documents**

No downloads available for this product