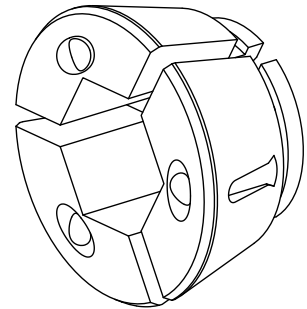


Clamping head SK42 AF=20,0mm

Technical data

| | |
|----------------------------------|---------------------|
| Clamping device size | SK42 |
| manufacturer product line | SPANNTOP nova chuck |
| Clamping type | Hexagon grooved |
| Nominal diameter (mm) | 20 Millimeter |
| Clamping method | External clamping |
| manufacturer product line | Hainbuch |



No 3-side view is currently available for this product

10860689
900442.6200

INDEX

Documents

No downloads available for this product