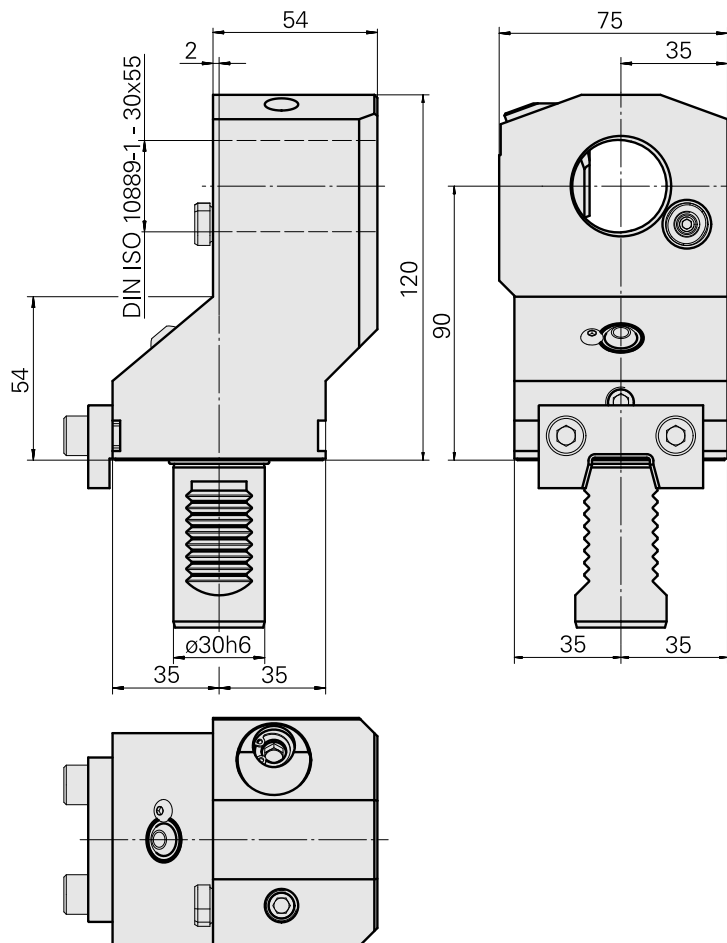
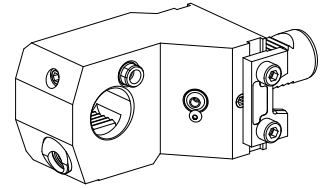


Compensation holder

Technical data

| | |
|-----------------------------|-------------------------|
| Shank VDI | VDI 30 |
| Drive | not live |
| Fixation VDI | Vee bar |
| Cooling | external |
| Pressure | 20 bar |
| Mounting | VDI 30 |
| reversible 180° | yes |
| Data carrier | check tool station bore |
| X [mm] | 90 (3.54") |
| Y [mm] | – |
| Z [mm] | 2 (0.08) |
| INDEX TRAUB products | G160 • G300 • G250 |



Documents

No downloads available for this product

Accessories

Optional accessories

Other accessories

[SPRAY NOZZLE 14D/M6](#)

Product ID : 10358770

Previous product ID : 474550.0121

[Lens head screw](#)

Product ID : 10344546

Previous product ID : 410243.0406

[Setting gauge](#)

Product ID : 10677697

Previous product ID : W68220.4150

[Stop bar](#)

Product ID : 10713062

Previous product ID : W68220.4104

[Clamping bar](#)

Product ID : 10967524

Previous product ID : W68220.4106

[ZI_SCREW 8X16](#)

Product ID : 10360891

Previous product ID : 410260.0816

10854854
W1330000

INDEX

Not defined

Product ID : 10952854

Previous product ID : WL3300.9130F
