

## WFB 20-12 for DC.. 11T3.., left, without gripper groove

### Technical data

TH accessories category

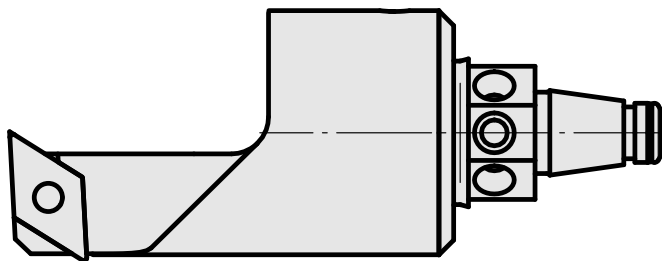
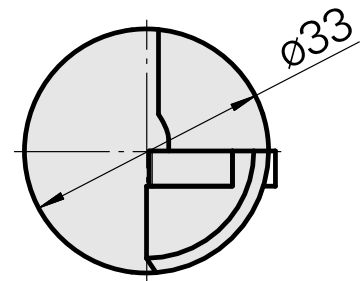
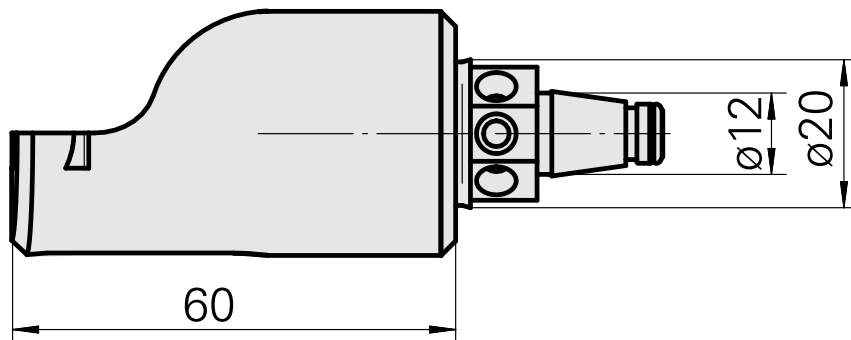
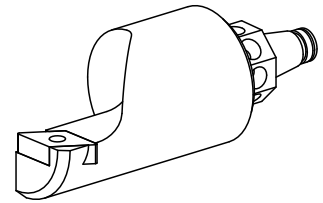
WFB 20-12

Mounting

for DC.. 11T3..

Quick change inserts

Turning tool holder



10845247  
W9990493

**INDEX**

---

## **Documents**

No downloads available for this product