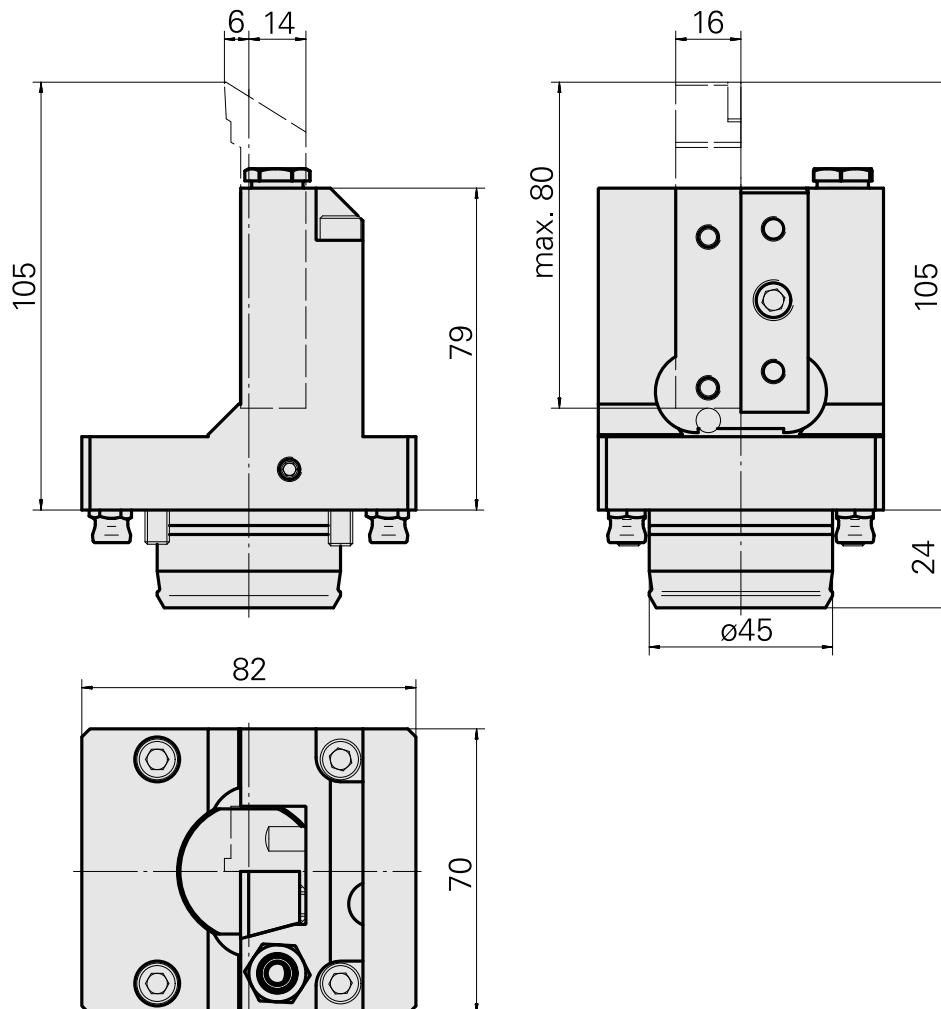


## Turning tool holder KPS 45 square 16x16

### Technical data

|                             |  |
|-----------------------------|--|
| <b>Shank KPS</b>            | KPS 45   |
| <b>Drive</b>                | not live   |
| <b>Cooling</b>              | external   |
| <b>Mounting</b>             | Square 16x16   |
| <b>Pressure</b>             | 80 bar   |
| <b>X [mm]</b>               | 79 (3.11")   |
| <b>Y [mm]</b>               | -  |
| <b>Z [mm]</b>               | -14 (-0.55)  |
| <b>INDEX TRAUB products</b> | TNL18 • TNL20 • TNL32-11 •<br>TNL32 • TNL32-11 compact •<br>TNL20-11 • TNL32 compact •<br>TNK40.2-10 • TNL20.2 • TNK40.2 |



## Documents

No downloads available for this product

## Accessories

Optional accessories

### Other accessories

#### [Nozzle Kugel D10 - Bohrung D2 40°](#)

Product ID : 10072335

Previous product ID : 910693

---

#### [BUSHING 10 D x 6 D x 12,5](#)

Product ID : 10670360

Previous product ID : W67530.0824

---

#### [HOLLOW SCREW M14x1 M14x1](#)

Product ID : 10105238

Previous product ID : W67530.0818

---

#### [Cover f. Drehhalter 16x16](#)

Product ID : 10141942

Previous product ID : W9991072

---