

## Grooving tool holder MS16 grooving slide, 8°, X.2

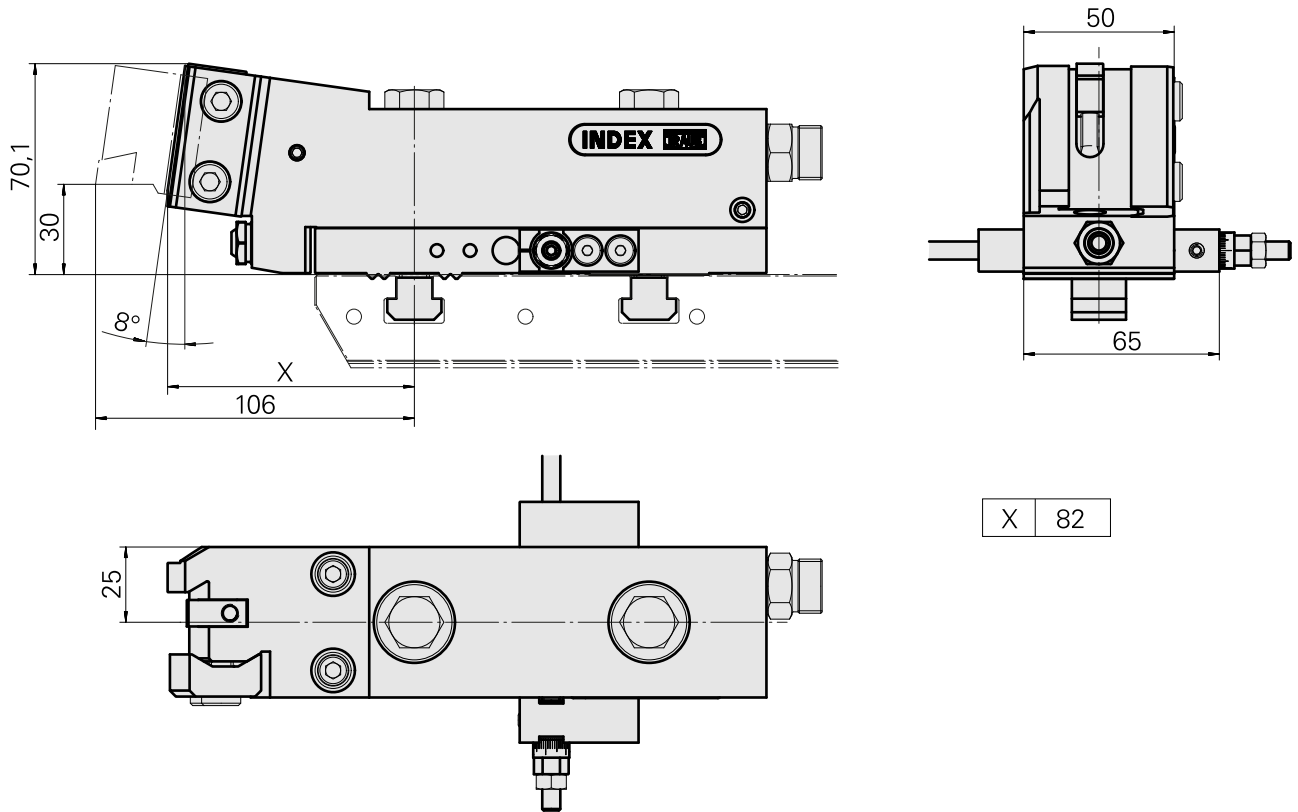
### Technical data

<b>Slide system MS</b>	MS16 grooving slide
<b>Drive</b>	not live
<b>Fixation MS</b>	W serration
<b>Cooling</b>	external
<b>Pressure</b>	80 bar
<b>Direction</b>	right-handed run
<b>Mounting</b>	Forming tool AWN 28
<b>X [mm]</b>	82 (3.23")
<b>Y [mm]</b>	–
<b>Z [mm]</b>	25 (0.98)
<b>INDEX TRAUB products</b>	MS16-6 • MS16-6 Plus



### Note

Can be used on INDEX MS16-6 in position x.2 only!



## Documents

### Product notes

[DE \(pdf\)](#)

[EN \(pdf\)](#)

[FR \(pdf\)](#)

[PT \(pdf\)](#)

## Accessories

### Optional accessories

#### Other accessories

#### [EX.SOC.PLUG/4Z-908 VSTI R 1/4-ED](#)

Product ID : 10886676

Previous product ID : 410773.0025

---

#### [Coolant Nozzle](#)

Product ID : 11031912

Previous product ID : W67500.3208

---

#### [HOLLOW SCREW M14x1 M14x1](#)

Product ID : 10105238

Previous product ID : W67530.0818

---

#### [BUSHING 10 D x 6 D x 12,5](#)

Product ID : 10670360

Previous product ID : W67530.0824

---

#### [Nozzle M6 mit D1,6](#)

Product ID : 10147428

Previous product ID : W00019.0216

---

10807171  
W5190207

**INDEX**

---

Stop Feineinstellung; klein

Product ID : 10786502

Previous product ID : W9990769

---