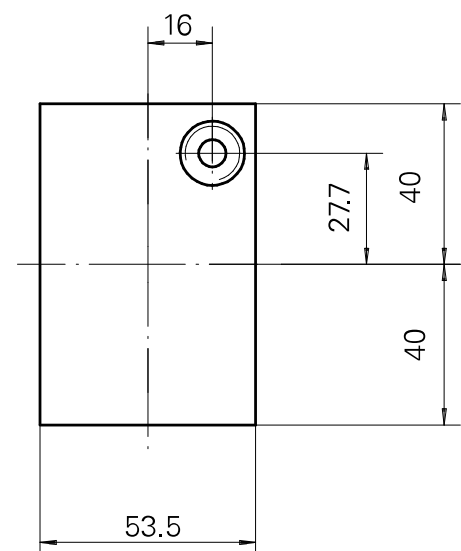
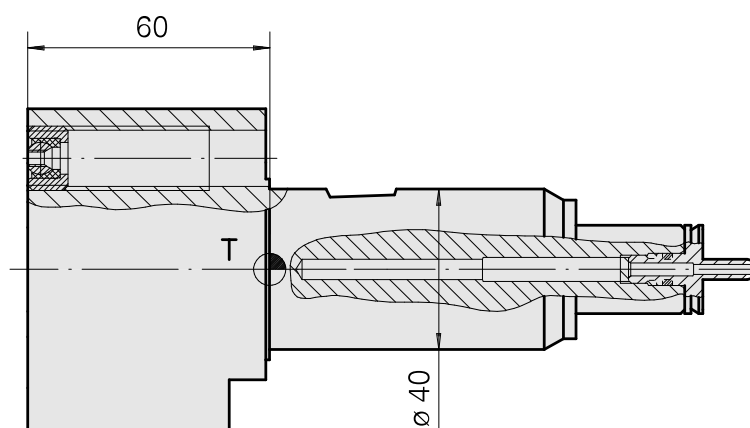
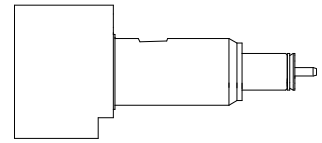


Tool holder blank Shank 40

Technical data

| | |
|----------------------|---------------|
| Shank TNL | Shank 40 |
| Drive | not live |
| Cooling | internal |
| Pressure | 120 bar |
| INDEX TRAUB products | TNK36 • TNL26 |



10802988
984536

INDEX

Documents

No downloads available for this product