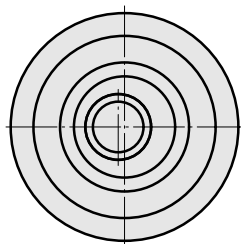
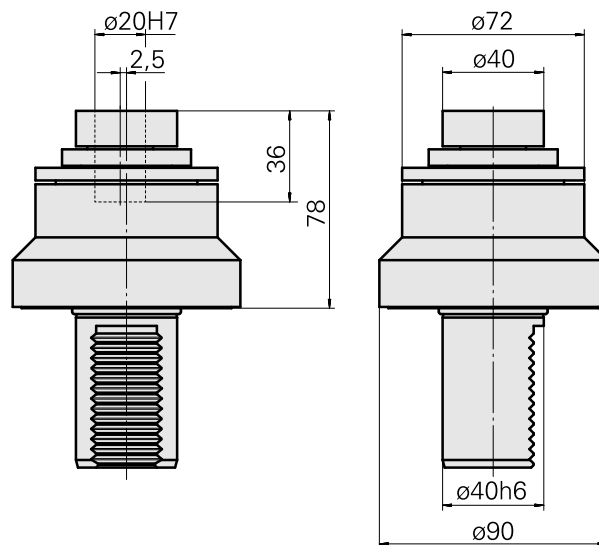


Reibhalter VDI 40 D20, einstellbar

Technical data

Shank VDI	VDI 40
Drive	not live
Fixation VDI	none
Cooling	internal
Pressure	40 bar
Mounting	D20
reversible 180°	no
X [mm]	78 (3.07")
Y [mm]	–
Z [mm]	–
Tool turret type	Radial turret • Disk-type turret
INDEX TRAUB products	G160 • G300 • G400 • V200 • C200 • G220 • G250 • V160C • V160G • V300 • TNA400 • B400 • B500 • TNA500.2 • TNA400.2 • TNA400.3 • B400.3 • B500.3 • TNA500.3



Documents

No downloads available for this product

Accessories

Optional accessories

Other accessories

[Clamping sleeve D20](#)

Product ID : 10224403

Previous product ID : 993120.----
