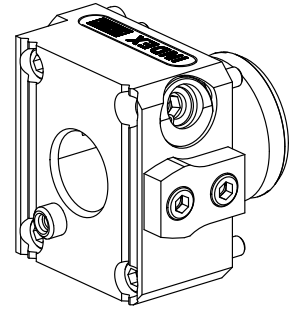


Compensation holder

Technical data

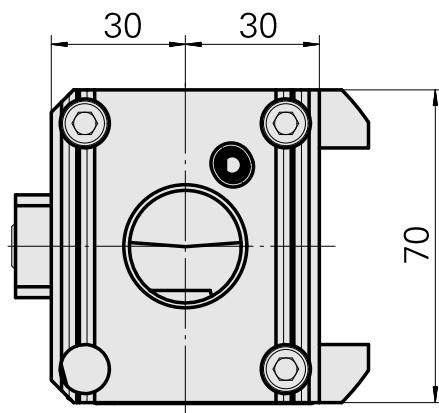
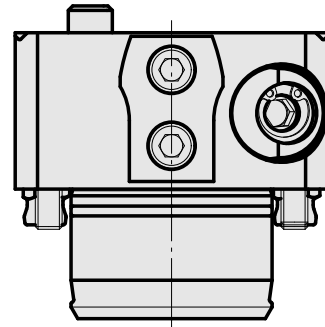
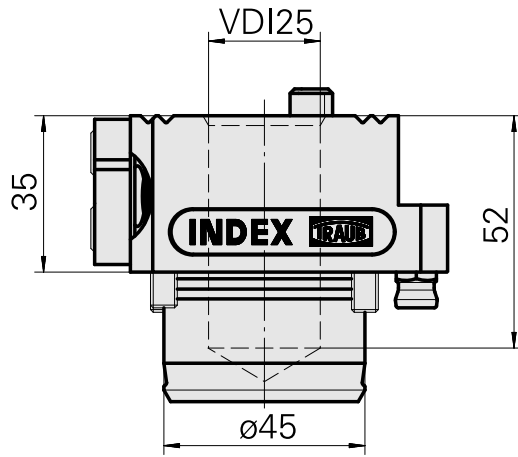
Shank KPS	KPS 45
Drive	not live
Cooling	internal
Mounting	VDI 25
Pressure	80 bar
reversible 180°	no
X [mm]	35 (1.38")
Y [mm]	–
Z [mm]	–
INDEX TRAUB products	ABC65 • TNK42/65



Note

When using VDI tool holders with a height of more than 60 mm (in the X direction), a collision check has to be carried out!

When using VDI tool holders with a height of more than 60 mm (in the X direction), a collision check has to be carried out!



Documents

No downloads available for this product