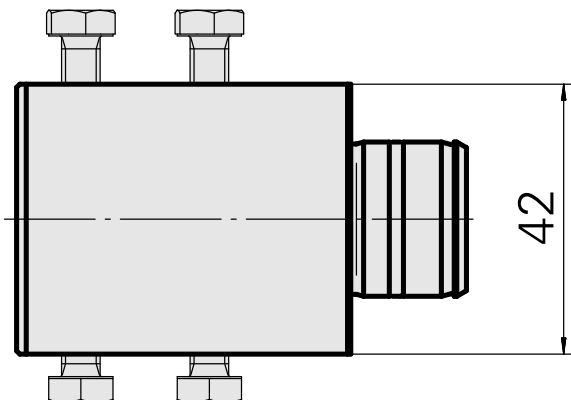


## Mount D25 (0.98 ")

### Technical data

|                      |  |
|----------------------|--|
| Drive                | not live   |
| Cooling              | internal   |
| Mounting             | D25  |
| Pressure             | 80 bar   |
| X [mm]               | 52 (2.05")   |
| Y [mm]               | -  |
| Z [mm]               | -  |
| INDEX TRAUB products | ABC65 • TNK42/65 • TNL18 •<br>TNL20 • TNL32-11 • TNL32 •<br>TNL32-11 compact • TNL20-11 •<br>• TNL32 compact • TNK40.2-10 •<br>TNL20.2 • TNK40.2 |



## Documents

No downloads available for this product

## Accessories

Optional accessories

### Other accessories

#### [Mounting sleeve with collar D25](#)

Product ID : 10070544

Previous product ID : W62221.41--

---

#### [HEX.HEAD BOLT 6X12](#)

Product ID : 10776803

Previous product ID : 410620.0612

---

#### [HEX SCREW 6X16](#)

Product ID : 10136131

Previous product ID : 410620.0616

---