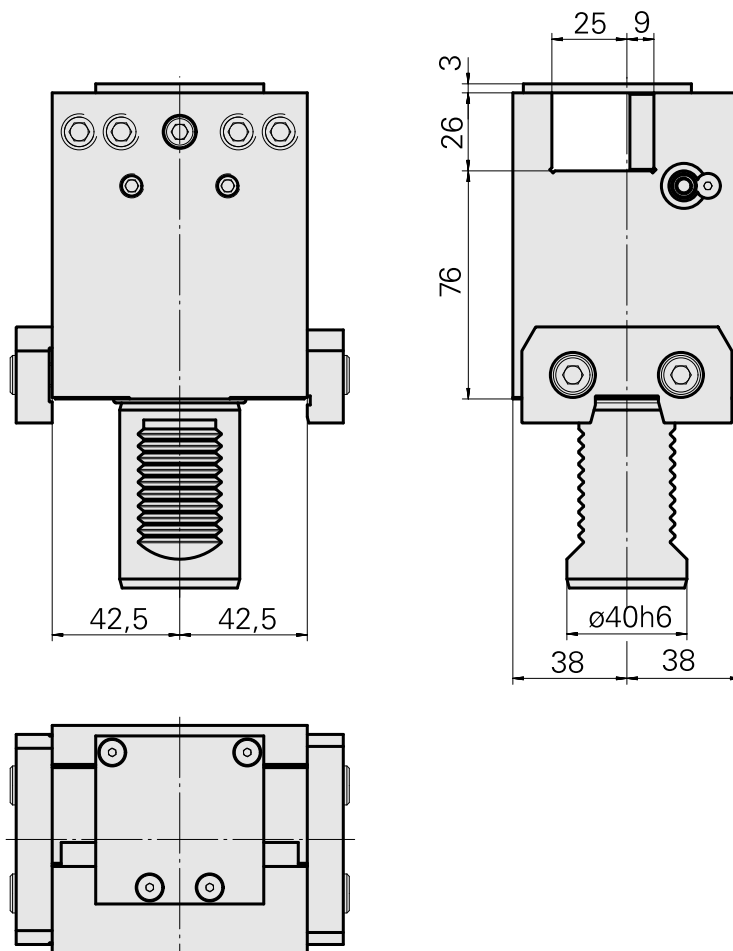
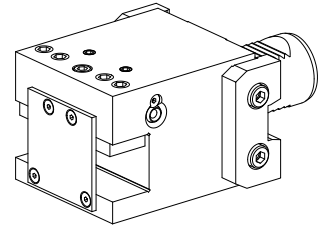


## Turning tool holder VDI 40 square 25x25

### Technical data

Shank VDI	VDI 40
Drive	not live
Fixation VDI	Clamping and stop bar
Cooling	external
Pressure	20 bar
Mounting	Square 25x25
reversible 180°	yes
X [mm]	76 (2.99")
Y [mm]	–
Z [mm]	42.5 (1.67)
INDEX TRAUB products	G300 • G400 • V200 • G250 • V160C • V160G • V300



---

## Documents

No downloads available for this product

## Accessories

### Optional accessories

#### Tool holder accessories

#### [Angle, height 5 mm \(0.19"\), width 5 mm \(0.19"\)](#)

Product ID : 10020057

Previous product ID : W9991111

TH accessories  
category  
Compensation bracket

Mounting  
Square 25x25

#### Other accessories

#### [Coolant Nozzle](#)

Product ID : 11031912

Previous product ID : W67500.3208

---

#### [Nozzle M6 mit D1,6](#)

Product ID : 10147428

Previous product ID : W00019.0216

---

#### [Gib WN99-04.0005.0](#)

Product ID : 10429033

Previous product ID : W00016.0037

---

#### [Gib WN99-04.0004.0](#)

Product ID : 10925776

Previous product ID : W00016.0038

---

10702263  
W1420000

**INDEX**

---

Countersunk screw M 4x10/T20 verzinkt 402314 10

Product ID : 10844426

Previous product ID : 410362.0410

---