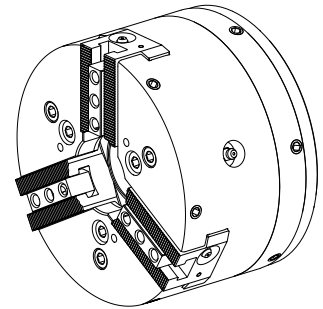


## 3-jaw chuck

### Technical data

<b>INDEX TRAUB products</b>	C200 • G220 • R200
<b>Spindle clearance</b>	46mm
<b>Machining side</b>	Main spindle • Counter spindle
<b>manufacturer product line</b>	KFD-HS160-46
<b>Spindle mounting</b>	AP140
<b>manufacturer product line</b>	Roehm



No 3-side view is currently available for this product

---

## Documents

No downloads available for this product

## Accessories

### Optional accessories

#### O-Rings

##### [Gasket ring](#)

Product ID : 10633169

Previous product ID : 479105.6702

manufacturer product line Trelleborg	TSS material no.	Cord size 2.5 Millimeter	manufacturer product line O-ring
---	------------------	-----------------------------	-------------------------------------

##### [O-RING 72,69X2,62 V70SH](#)

Product ID : 10322342

Previous product ID : 479103.0722

manufacturer product line Trelleborg	TSS material no.	Cord size 2.62 Millimeter	manufacturer product line O-ring
---	------------------	------------------------------	-------------------------------------

#### Other accessories

##### [Mounting jaws ID-Nr 046404 \(3x 116747\)](#)

Product ID : 10627887

Previous product ID : 908127.2941

---

##### [Mounting jaws Id.Nr 046403 \(3x 116735\)](#)

Product ID : 10645157

Previous product ID : 908127.2951

---

##### [Adaptor D65 G160](#)

Product ID : 10597214

Previous product ID : 908127.8421

---

[Pedal Switch gesteckt](#)

Product ID : 10128625  
Previous product ID : GL4502.2340

---

[Boring fixture Standard-Umfang bis Ø250mm](#)

Product ID : 10362531  
Previous product ID : W9991012

---

[Boring fixture Premium-Umfang bis Ø250mm](#)

Product ID : 10422192  
Previous product ID : W9991013

---