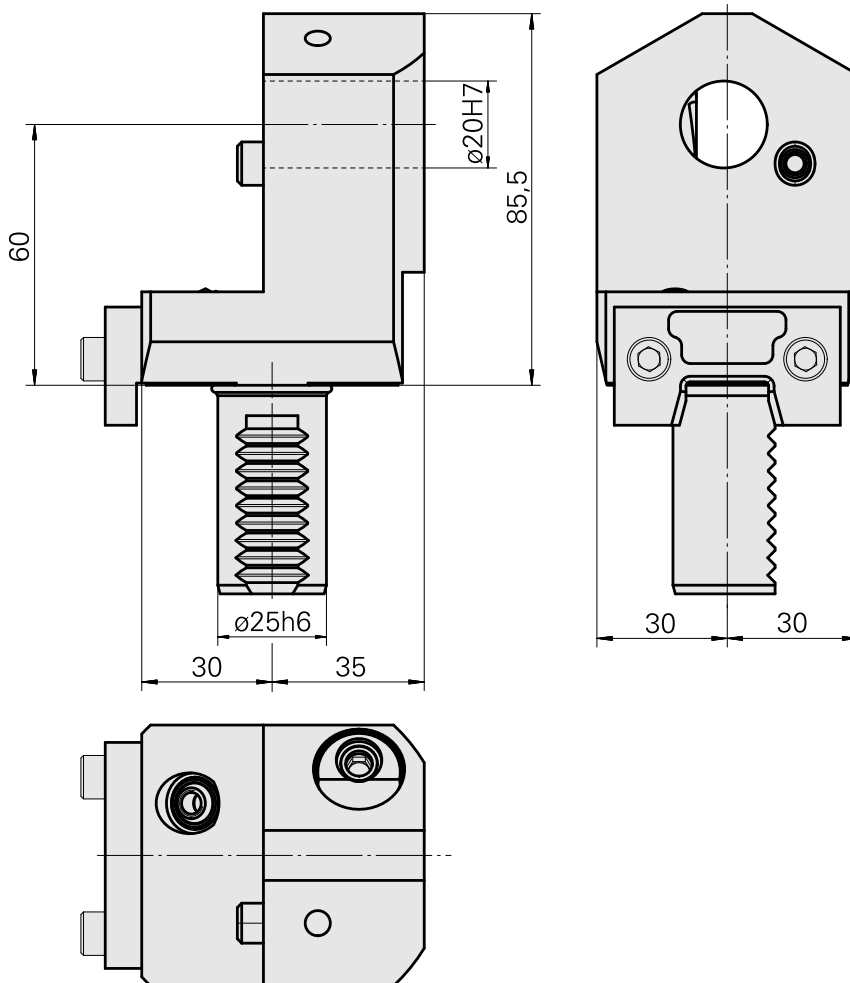


Compensation holder

Technical data

| | |
|-----------------------------|-----------------------|
| Shank VDI | VDI 25 |
| Drive | not live |
| Fixation VDI | Vee bar |
| Cooling | external and internal |
| Pressure | 40 bar |
| Mounting | VDI 20 |
| reversible 180° | no |
| X [mm] | 60 (2.36") |
| Y [mm] | – |
| Z [mm] | 2 (0.08) |
| INDEX TRAUB products | ABC • ABC.2 |



Documents

No downloads available for this product

Accessories

Optional accessories

Other accessories

[BALL SPRAY NOZZLE 12D/M6](#)

Product ID : 10602750

Previous product ID : 474550.0101

[Not defined](#)

Product ID : 10494656

Previous product ID : WL3300.9110F
