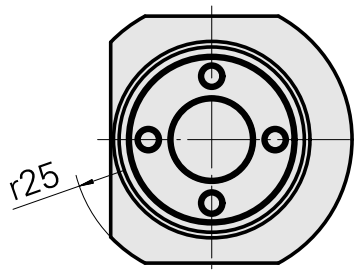
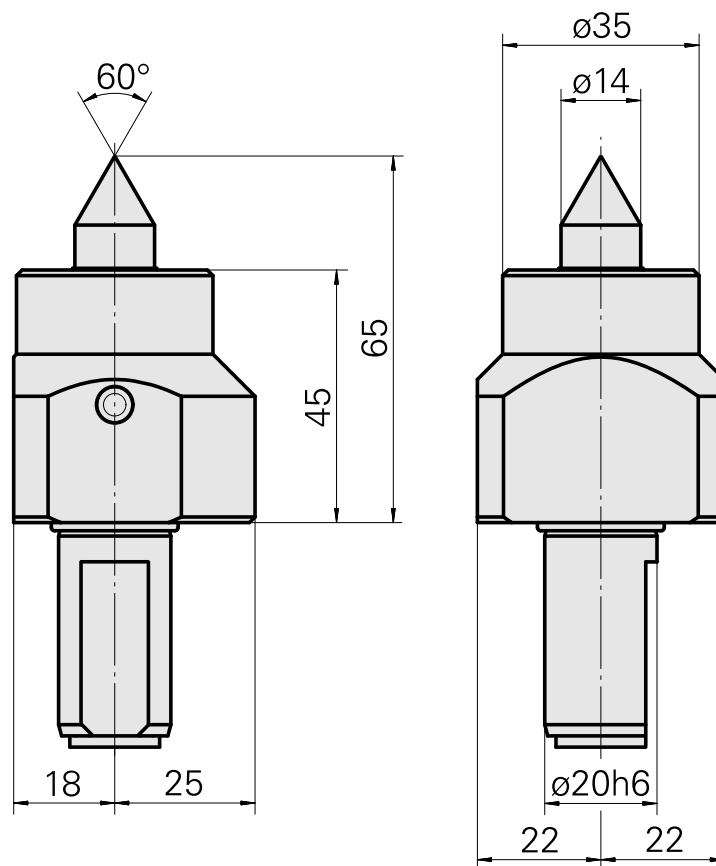
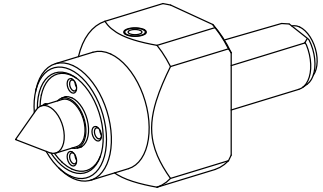


## Center holder VDI 20, elastic, live

### Technical data

Shank VDI	VDI 20
Drive	not live
Fixation VDI	none
reversable 180°	no
X [mm]	65 (2.56")
Y [mm]	-
Z [mm]	-



## Documents

No downloads available for this product

## Accessories

Optional accessories

**Other accessories**

[Centre vorgeschliffen](#)

Product ID : 10381711

Previous product ID : 8W13624.04

---