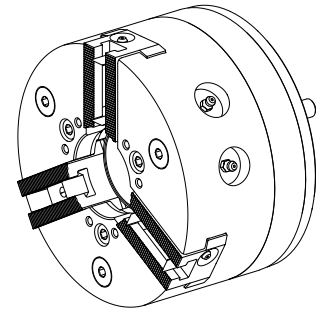


## 3-jaw chuck

### Technical data

<b>INDEX TRAUB products</b>	TNX65/42
<b>Spindle clearance</b>	65mm
<b>Machining side</b>	Main spindle • Counter spindle
<b>manufacturer product line</b>	KFD-HS175
<b>Spindle mounting</b>	KK 6
<b>manufacturer product line</b>	Roehm



No 3-side view is currently available for this product

---

## Documents

No downloads available for this product

## Accessories

### Optional accessories

#### O-Rings

#### [Gasket ring OR 64,0 X2,0](#)

Product ID : 10969405

Previous product ID : 319817

manufacturer product line Trelleborg	TSS material no.	Cord size 2 Millimeter	manufacturer product line O-ring
---	------------------	---------------------------	-------------------------------------

#### Maintenance packages

#### [Gasket ring](#)

Product ID : 10674942

Previous product ID : 479103.0752

---

#### [O-RING 72,75X1,78 V70SH](#)

Product ID : 10840379

Previous product ID : 479103.0721

---

#### Other accessories

#### [Mounting jaws Id.Nr 046403 \(3x 116735\)](#)

Product ID : 10645157

Previous product ID : 908127.2951

---

#### [Threaded bush KFD-HS 175 A6](#)

Product ID : 10814016

Previous product ID : 468832

10572794  
323465

**INDEX**

---

### Cover

Product ID : 10683451  
Previous product ID : 940779

---

### Boring fixture Standard-Umfang bis Ø250mm

Product ID : 10362531  
Previous product ID : W9991012

---

### Boring fixture Premium-Umfang bis Ø250mm

Product ID : 10422192  
Previous product ID : W9991013

---

### Spanner

Product ID : 10206139  
Previous product ID : 776192

---