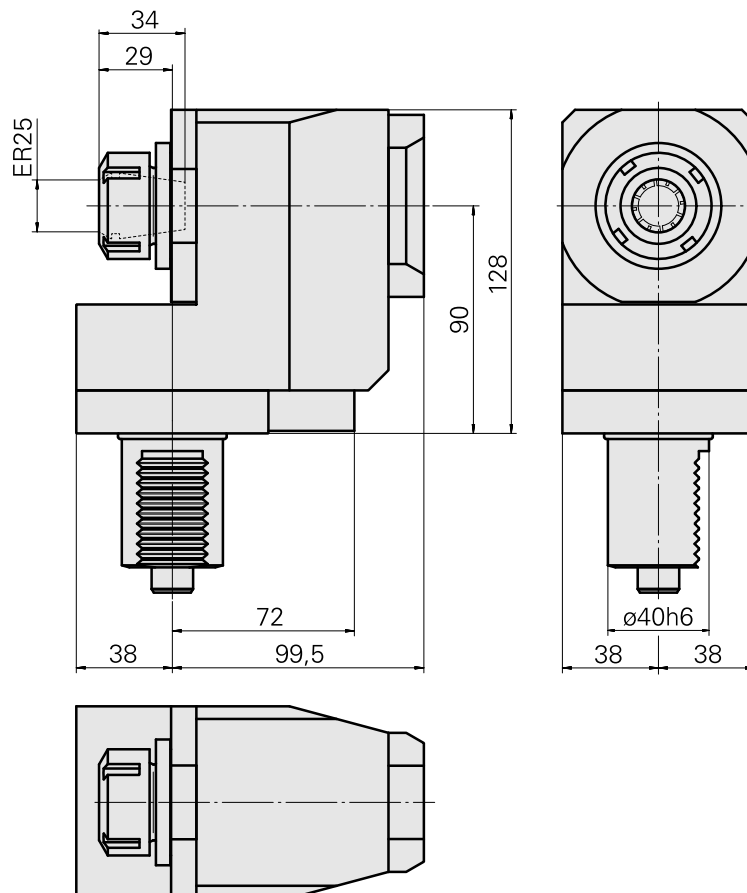
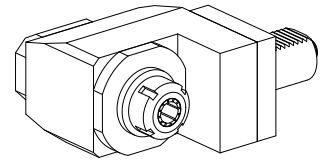


## Milling unit VDI 40 1:1 ER25

### Technical data

|                             |                         |
|-----------------------------|-------------------------|
| <b>Shank VDI</b>            | VDI 40                  |
| <b>Drive</b>                | Spline shaft B17x14     |
| <b>Fixation VDI</b>         | Aligning system         |
| <b>Speed ratio</b>          | 1:1                     |
| <b>Cooling</b>              | external                |
| <b>Pressure</b>             | 40 bar                  |
| <b>Mounting</b>             | ER25                    |
| <b>reversible 180°</b>      | no                      |
| <b>Direction</b>            | same as drive direction |
| <b>X [mm]</b>               | 90 (3.54")              |
| <b>Y [mm]</b>               | –                       |
| <b>Z [mm]</b>               | 31 (1.22)               |
| <b>INDEX TRAUB products</b> | TNA400                  |



---

## Documents

No downloads available for this product

## Accessories

Required for operation

### [Spanner](#)

Product ID : 10802433

Previous product ID : 490219.0251

|                                                |                  |                      |                                    |
|------------------------------------------------|------------------|----------------------|------------------------------------|
| TH accessories category<br>Tool                | Mounting<br>ER25 | Collet type<br>ER 25 | Clamping nut type<br>Female thread |
| Tools for Collet chucks<br>Clamping nut wrench |                  |                      |                                    |

### Optional accessories

#### Tool holder accessories

### [Clamping nut](#)

Product ID : 10193990

Previous product ID : 901939.0251

|                                         |                  |                      |                                    |
|-----------------------------------------|------------------|----------------------|------------------------------------|
| TH accessories category<br>Clamping nut | Mounting<br>ER25 | Collet type<br>ER 25 | Clamping nut type<br>Female thread |
|-----------------------------------------|------------------|----------------------|------------------------------------|

#### Other accessories

### [Clamping collet](#)

Product ID : 10206464

Previous product ID : 901930.3---

---

### [tapping tool collet ET-1-25](#)

Product ID : 10191234

Previous product ID : 3224--

---

10530676  
W1465006

**INDEX**

---

[tapping tool collet](#)

Product ID : 10256515  
Previous product ID : WZ9990.9507F

---

[Collet chuck](#)

Product ID : 10029756  
Previous product ID : W999067-

---