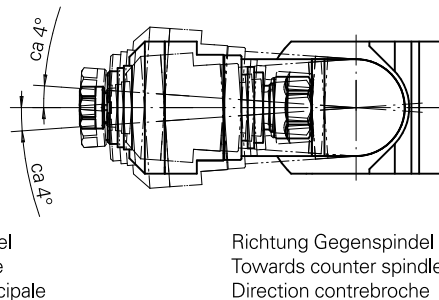
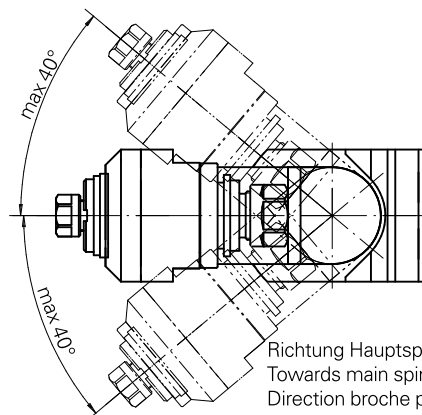
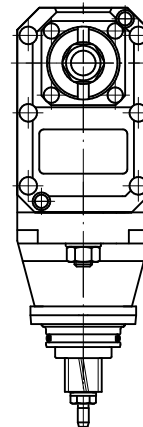
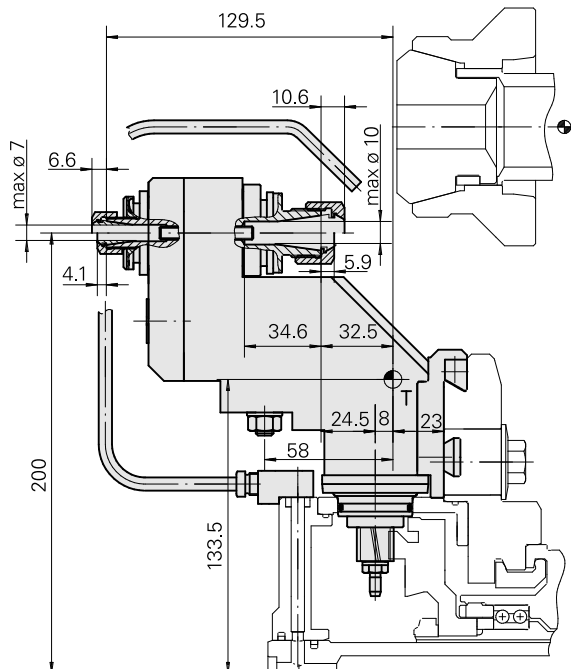
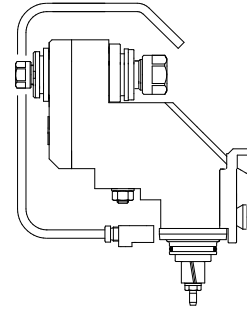


## Milling unit Circular prism 1:1 ER16/ER1, ±40°

### Technical data

<b>Shank TNL</b>	Circular prism
<b>Drive</b>	Overall drive
<b>Fixation TNL</b>	Central tensioning screw
<b>Speed ratio</b>	1:1
<b>Cooling</b>	external
<b>Pressure</b>	30 bar
<b>Mounting</b>	ER16/ER11
<b>INDEX TRAUB products</b>	TNK36 • TNL26



## Documents

No downloads available for this product

## Accessories

Required for operation

### [Spanner](#)

Product ID : 10969996

Previous product ID : 490219.0111

TH accessories category Tool	Mounting ER11	Collet type ER 11	Clamping nut type Female thread
Tools for Collet chucks Clamping nut wrench			

### [Spanner](#)

Product ID : 10966369

Previous product ID : 490219.0161

TH accessories category Tool	Mounting ER16	Collet type ER 16	Clamping nut type Female thread
Tools for Collet chucks Clamping nut wrench			

## Optional accessories

### Tool holder accessories

### [Clamping nut](#)

Product ID : 10302707

Previous product ID : 322438

TH accessories category Clamping nut	Mounting ER11	Collet type ER 11	Clamping nut type Female thread
---	------------------	----------------------	------------------------------------

---

### [Clamping nut](#)

Product ID : 10378189

Previous product ID : 901939.01

TH accessories category Clamping nut	Mounting ER16	Collet type ER 16	Clamping nut type Female thread
---	------------------	----------------------	------------------------------------

### Other accessories

### [Clamping collet](#)

Product ID : 10086829

Previous product ID : 901930.0---

---

### [tapping tool collet ET-1-12](#)

Product ID : 10001911

Previous product ID : 3239--

---

### [tapping tool collet ER11GB](#)

Product ID : 10285407

Previous product ID : 900288

---

### [Collet chuck](#)

Product ID : 10132309

Previous product ID : W999064-

---

### [Clamping collet](#)

Product ID : 10834596

Previous product ID : 901930.1---

---

### [Clamping collet](#)

Product ID : 10589709

Previous product ID : W99903--

---

### [tapping tool collet ET-1-16](#)

Product ID : 10542491

Previous product ID : 3230--

---

10506394  
984550

**INDEX**

---

[tapping tool collet](#)

Product ID : 10865233

Previous product ID : WZ9990.9506F

---

[Collet chuck](#)

Product ID : 10870393

Previous product ID : W999065-

---