

WFB 20-12 Horn Type 105

Technical data

TH accessories category

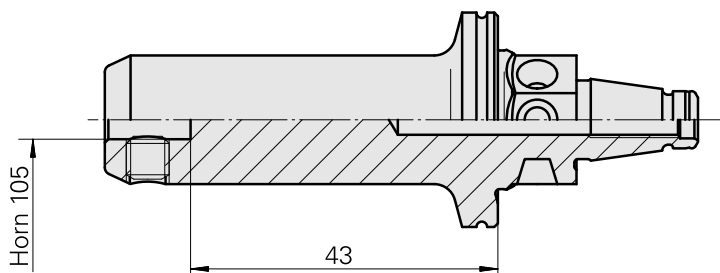
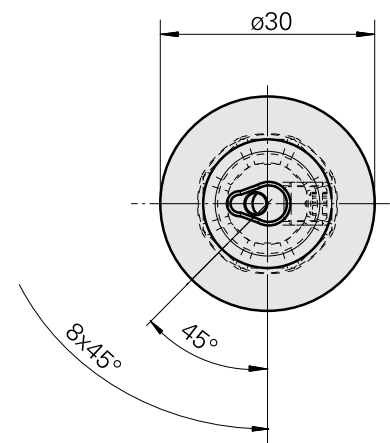
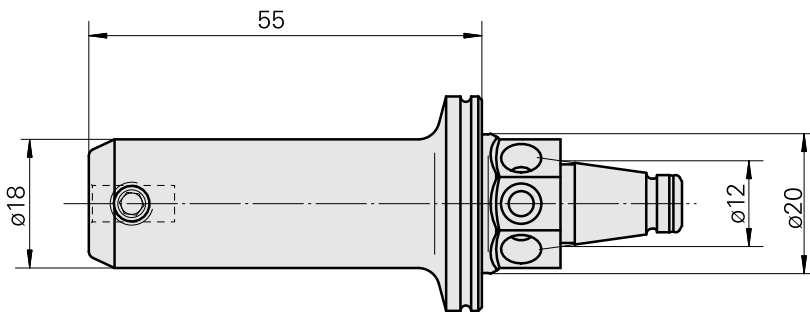
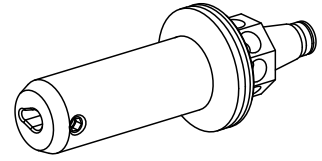
WFB 20-12

Mounting

Horn Type 105

Quick change inserts

Horn S-Mini



Documents

No downloads available for this product

Accessories

Required for operation

[Grub screw](#)

Product ID : 10324659

Previous product ID : 410156.0606
