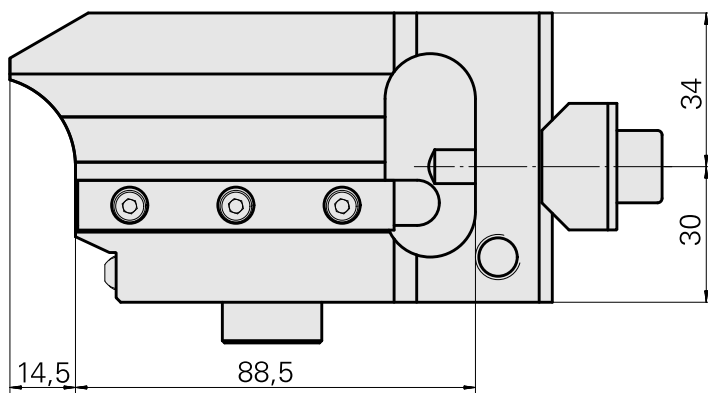
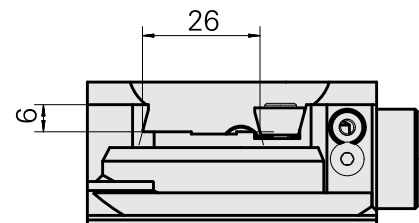
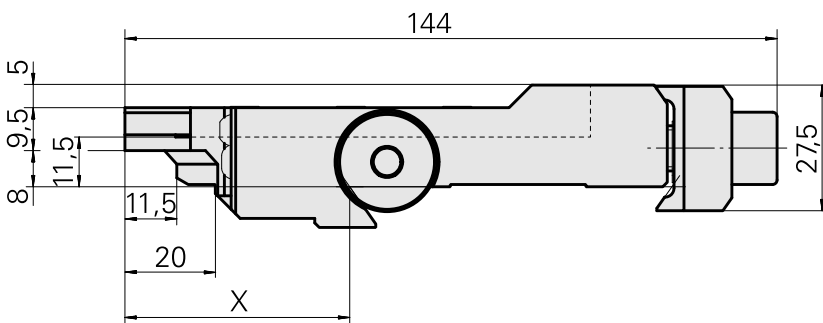
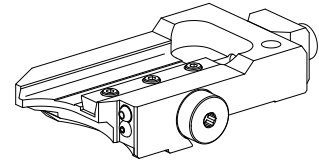


## Grooving tool holder MS16/MS22 Trapezoid

### Technical data

|                             |   |
|-----------------------------|---|
| <b>Slide system MS</b>      | MS16/MS22   |
| <b>Drive</b>                | not live  |
| <b>Fixation MS</b>          | Dovetail  |
| <b>Cooling</b>              | external  |
| <b>Pressure</b>             | 20 bar  |
| <b>Direction</b>            | right-handed run  |
| <b>Mounting</b>             | Trapezoid 26x4  |
| <b>X [mm]</b>               | 49.7 (1.96")  |
| <b>Y [mm]</b>               | –   |
| <b>Z [mm]</b>               | 11.5 (0.45)   |
| <b>INDEX TRAUB products</b> | A100 • MS16-6 • MS22-6 •<br>MS22-8 • MS24-6 • MS24-8 •<br>MS16-6 Plus |



|   |      |
|---|------|
| X | 49,7 |
|---|------|

## Documents

No downloads available for this product

## Accessories

Optional accessories

### Other accessories

#### [Screw Nacharb. an 410620.1030](#)

Product ID : 10855317

Previous product ID : W00013.0046

---

#### [Lens head screw](#)

Product ID : 10344546

Previous product ID : 410243.0406

---

#### [Ball nozzle 8D/M3,5](#)

Product ID : 10174644

Previous product ID : 474550.0071

---