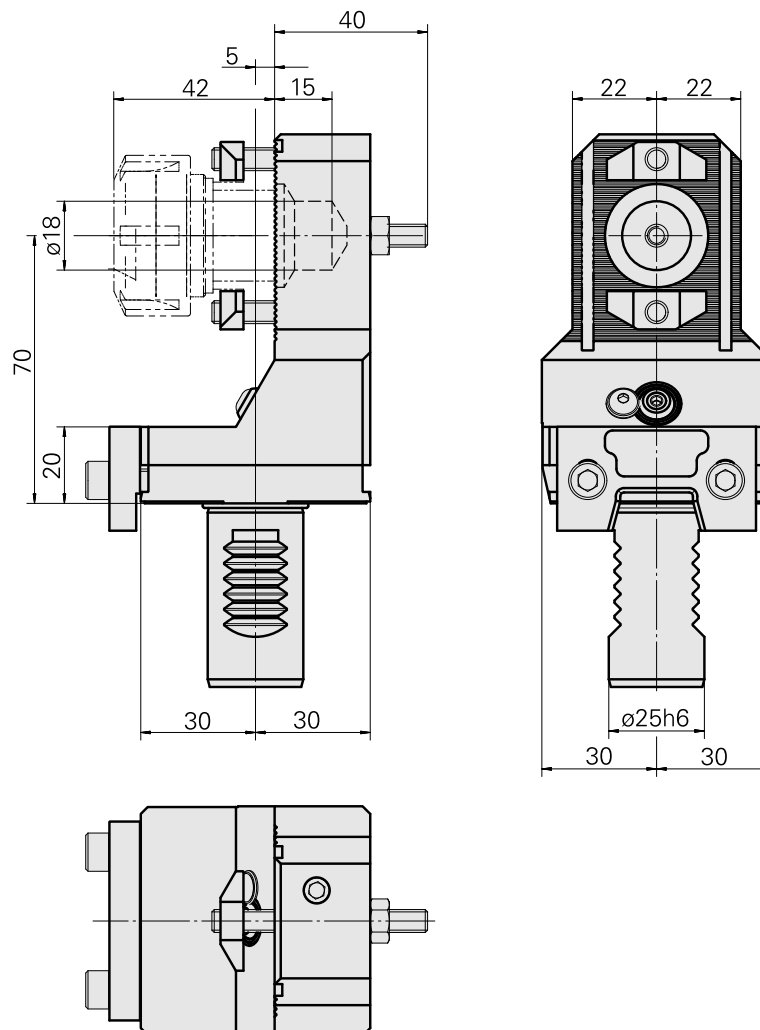


## Basic holder VDI 25

### Technical data

Shank VDI	VDI 25
Drive	not live
Fixation VDI	Vee bar
Pressure	20 bar
reversible 180°	yes
Data carrier	check tool station bore
X [mm]	70 (2.76")
Y [mm]	-
Z [mm]	-5 (-0.20)
INDEX TRAUB products	C42/65 • G160 • ABC • G200 • G200.2 • ABC.2



---

## Documents

No downloads available for this product

## Accessories

### Optional accessories

#### Tool holders with VDI shank

##### [Drill holding block D20 \(0.79 "\)](#)

Product ID : 10099852

Previous product ID : W9990086

Drive not live	Cooling external	Pressure 20 bar	Mounting D20
X [mm] 40 (1.57")	Y [mm] –	Z [mm] –	INDEX TRAUB products C42/65 • G160 • G300 • A200-6 • ABC • C100 • C200 • G200 • G200.2 • G220 • G250 • ABC.2

##### [Drill holding block ER25](#)

Product ID : 10285739

Previous product ID : W9990085

Drive not live	Cooling internal	Pressure 20 bar	Mounting ER25
X [mm] 42.5 (1.67")	Y [mm] –	Z [mm] –	INDEX TRAUB products C42/65 • G160 • G300 • A200-6 • ABC • C100 • C200 • G200 • G200.2 • G220 • G250 • ABC.2

#### Other accessories

##### [BALL SPRAY NOZZLE 12D/M6](#)

Product ID : 10602750

Previous product ID : 474550.0101

---

10448204  
W1230004

**INDEX**

---

Washer St B 4,3 black oxidized 125 B 4,3 bruiniert

Product ID : 10510608

Previous product ID : 419010.04

---

Lens head screw

Product ID : 10344546

Previous product ID : 410243.0406

---