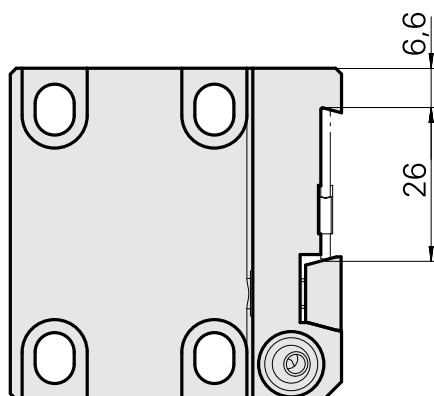
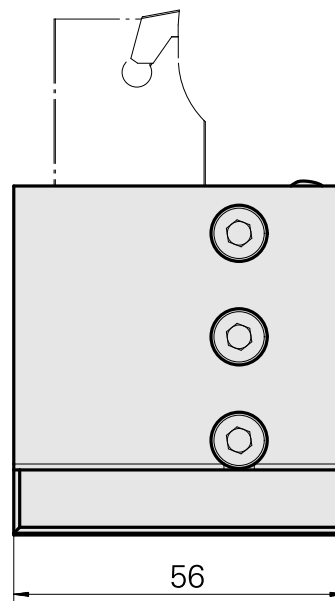
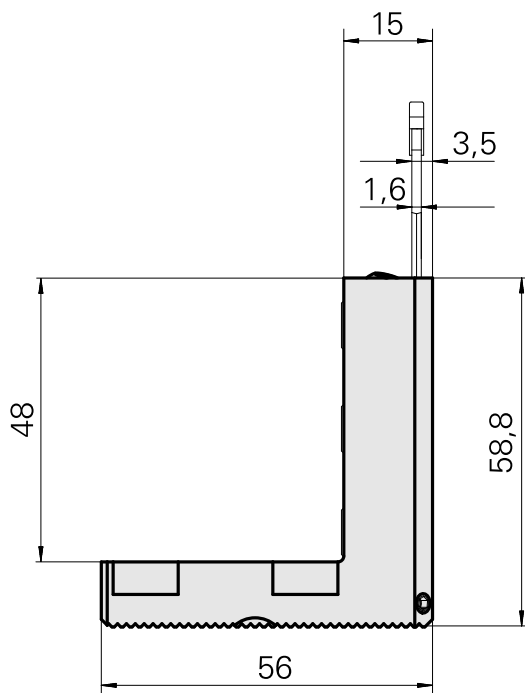


## Grooving tool holding block Trapezoid 26, vertically adjustable

### Technical data

Drive	not live
Cooling	external
Pressure	20 bar
Mounting	Trapezoid 26x4
X [mm]	59 (2.32")
Y [mm]	–
Z [mm]	18.5 (0.73)
INDEX TRAUB products	C100



## Documents

No downloads available for this product

## Accessories

Optional accessories

### Other accessories

#### [BALL SPRAY NOZZLE 10D/M4](#)

Product ID : 10679818

Previous product ID : 474550.0081

---