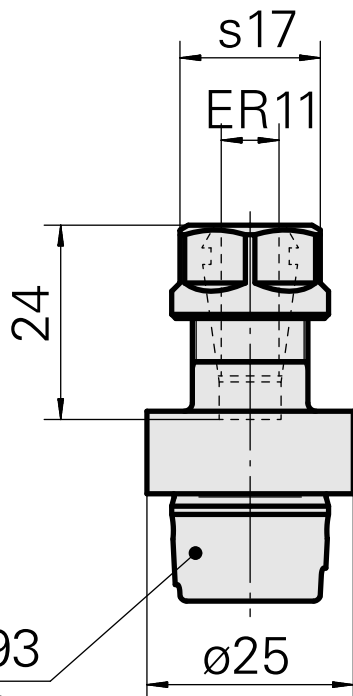
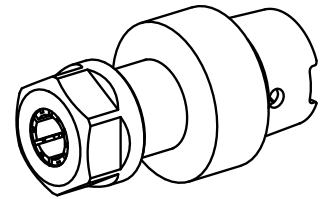


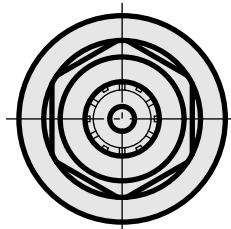
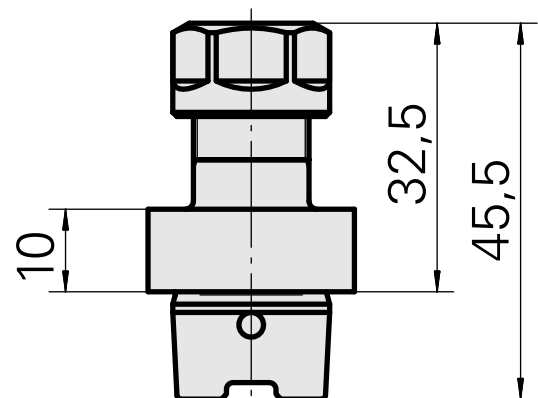
Drilling tool holder HSK 25 C ER11

Technical data

Shank HSK	HSK 25
Form HSK	C
Mounting	ER11
Cooling	internal
Pressure	40 bar
X [mm]	32.5 (1.28")
INDEX TRAUB products	MS22-6 • MS22-8 • MS16-6



DIN 69893
HSK 25 C



Documents

No downloads available for this product

Accessories

Required for operation

[Spanner](#)

Product ID : 10969996

Previous product ID : 490219.0111

TH accessories category Tool	Mounting ER11	Collet type ER 11	Clamping nut type Female thread
Tools for Collet chucks Clamping nut wrench			

Optional accessories

Tool holder accessories

[Clamping nut](#)

Product ID : 10302707

Previous product ID : 322438

TH accessories category Clamping nut	Mounting ER11	Collet type ER 11	Clamping nut type Female thread
---	------------------	----------------------	------------------------------------

Other accessories

[Clamping collet](#)

Product ID : 10086829

Previous product ID : 901930.0---

[tapping tool collet ET-1-12](#)

Product ID : 10001911

Previous product ID : 3239--

10362267
W2120002

INDEX

[tapping tool collet ER11GB](#)

Product ID : 10285407
Previous product ID : 900288

[Collet chuck](#)

Product ID : 10132309
Previous product ID : W999064-
