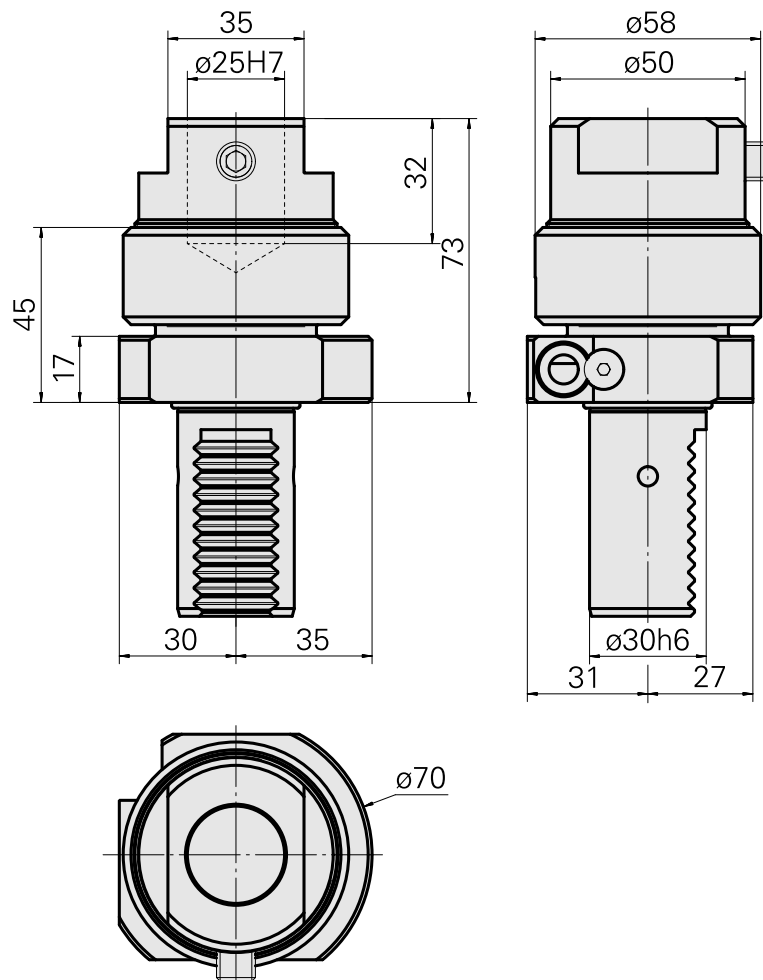
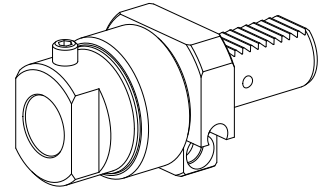


## Tapping tool holder VDI 30 D25 (0.98"), extendable

### Technical data

Shank VDI	VDI 30
Drive	not live
Fixation VDI	none
Cooling	external
Pressure	20 bar
Mounting	D25
reversible 180°	no
X [mm]	73 (2.87")
Y [mm]	-
Z [mm]	-
INDEX TRAUB products	V100 • V200 • V160C • V160G • V300



## Documents

No downloads available for this product

## Accessories

Optional accessories

### Other accessories

#### [Clamping sleeve D25](#)

Product ID : 10877092

Previous product ID : 993125.----

---

#### [Tube](#)

Product ID : 10676412

Previous product ID : W63211.5112

---

#### [Countersunk screw 8.8 Torx M 5x12 14581 M 5x12/T25 verzinkt 402315 12](#)

Product ID : 10607371

Previous product ID : 410362.0512

---