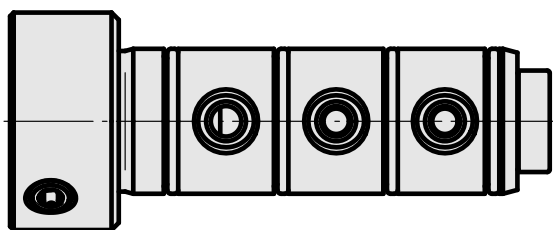
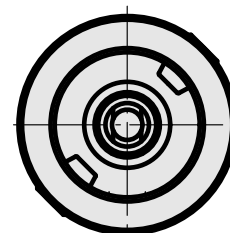
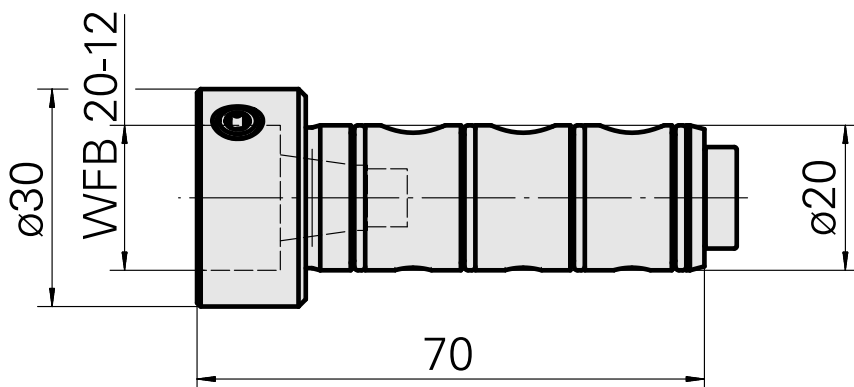
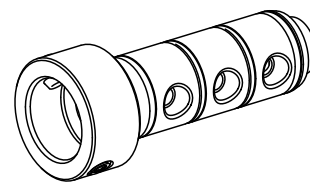


## Attacco WFB 20-12

### Technical data

Drive	not live
Cooling	internal
Mounting	WFB 20-12
Pressure	80 bar
X [mm]	-
Y [mm]	-
Z [mm]	-
INDEX TRAUB products	TNL18 • TNL20 • TNL32-11 • TNL32 • TNL32-11 compact • TNL20-11 • TNL32 compact • TNK40.2-10 • TNK40.2-8 • TNL20.2



---

## Documents

### Product notes

[PT \(pdf\)](#)

[DE \(pdf\)](#)

[EN \(pdf\)](#)

[FR \(pdf\)](#)

## Accessories

### Optional accessories

#### Other accessories

#### [TORX SCREW M6 X 7MM M 6x1x7](#)

Product ID : 10004947

Previous product ID : 326171

---

#### [Adapter WFB 20-12 shrinking](#)

Product ID : 10477939

Previous product ID : 904006

---

#### [Adapter WFB 20-12 Weldon](#)

Product ID : 10221340

Previous product ID : 904007

---

#### [Adapter WFB 20-12 with collet mounting](#)

Product ID : 10625654

Previous product ID : 904008

---

#### [adapter WFB 20-12 mill arbor mounting](#)

Product ID : 10489061

Previous product ID : 904009

---

---

[Adapter WFB 20-12 Hydr. expansion chuck](#)

Product ID : 10566889  
Previous product ID : 904010

---

[WFB for Turning tool holder](#)

Product ID : 10146029  
Previous product ID : 904011

---

[Adapter WFB 20-12 Horn S-Mini](#)

Product ID : 10777058  
Previous product ID : 904012

---

[adapter WFB 20-12 Turning holder](#)

Product ID : 10394640  
Previous product ID : 904013

---

[WFB for tap chuck](#)

Product ID : 11004600  
Previous product ID : WZ9990.9613F

---

[WFB miscellaneous mountings](#)

Product ID : 10243177  
Previous product ID : WZ9990.9612F

---