

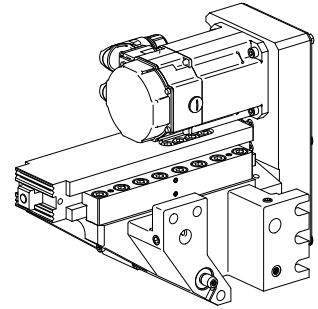
## slide X-axis

### Technical data

**Machining position**

**INDEX TRAUB products**

MS16-6 • MS16-6 Plus



No 3-side view is currently available for this product

---

## Documents

No downloads available for this product

## Accessories

### Optional accessories

#### Quad-Ring® Seal

##### [quad-ring](#)

Product ID : 10606686

Previous product ID : 479112.0102

manufacturer product line Trelleborg	TSS material no.	Cord size 2.62 Millimeter	manufacturer product line Quad-Ring® Seal
-----------------------------------------	------------------	------------------------------	----------------------------------------------

#### O-Rings

##### [O-RING](#)

Product ID : 10720281

Previous product ID : 479100.0102

manufacturer product line Trelleborg	TSS material no.	Cord size 2 Millimeter	manufacturer product line O-ring
-----------------------------------------	------------------	---------------------------	-------------------------------------

##### [Gasket ring](#)

Product ID : 10866740

Previous product ID : 479103.1542

manufacturer product line Trelleborg	TSS material no.	Cord size 2.62 Millimeter	manufacturer product line O-ring
-----------------------------------------	------------------	------------------------------	-------------------------------------

#### Spindle liners

##### [Grub screw 45H M5 x 6 913](#)

Product ID : 10462295

Previous product ID : 410156.0506

---

#### Other accessories

---

[Adjusting nut](#)

Product ID : 10000269  
Previous product ID : 415604.2615

---

[lens flange head screw](#)

Product ID : 10221770  
Previous product ID : 410244.0510

---

[HEX.SCREW 5X8-933](#)

Product ID : 11004416  
Previous product ID : 410620.0508

---

[Angle 36 x 28 x 27](#)

Product ID : 10237873  
Previous product ID : M90891.90

---

[SOCKET HD.SCREW 6X35](#)

Product ID : 10407009  
Previous product ID : 410260.0635

---

[Hexagon screw](#)

Product ID : 10883740  
Previous product ID : 410620.0625

---

[HEX NUT 00500](#)

Product ID : 10491187  
Previous product ID : 415610.06

---

[WASHER B 8,4 brueniert](#)

Product ID : 10407978  
Previous product ID : 419010.08

---

---

[Hexagon screw](#)

Product ID : 11046903  
Previous product ID : 410620.0812

---

[lens flange head screw](#)

Product ID : 10193064  
Previous product ID : 410244.0610

---

[Shaft Klemmung Werkzeug](#)

Product ID : 11083382  
Previous product ID : M90903.40

---

[Bolt M 6](#)

Product ID : 10643485  
Previous product ID : 737394

---

[SEALING RING A 6.5X9.5](#)

Product ID : 10146229  
Previous product ID : 479022.0609

---

[T-nut 18 x 15 x 26](#)

Product ID : 11083376  
Previous product ID : M90902.60

---

[Bolt Ausrichtung Stechschlitten](#)

Product ID : 11029447  
Previous product ID : M90901.80

---

[Bolt](#)

Product ID : 10857748  
Previous product ID : M90411.10

---

---

[Grub screw](#)

Product ID : 10838796  
Previous product ID : 410156.0816

---

[Grub screw](#)

Product ID : 10077882  
Previous product ID : 410156.0820

---

[Grub screw](#)

Product ID : 10410072  
Previous product ID : 410156.1012

---

[Plug Konus SK550-050 kurz D5](#)

Product ID : 10315289  
Previous product ID : 474301.0500

---

[Locking screw M 6x1](#)

Product ID : 10631234  
Previous product ID : 410773.0610

---

[Plug Konus SK552-050 lang D5](#)

Product ID : 10616582  
Previous product ID : 474302.0500

---

[Plug Konus SK550-060 kurz D6](#)

Product ID : 10005206  
Previous product ID : 474301.0600

---