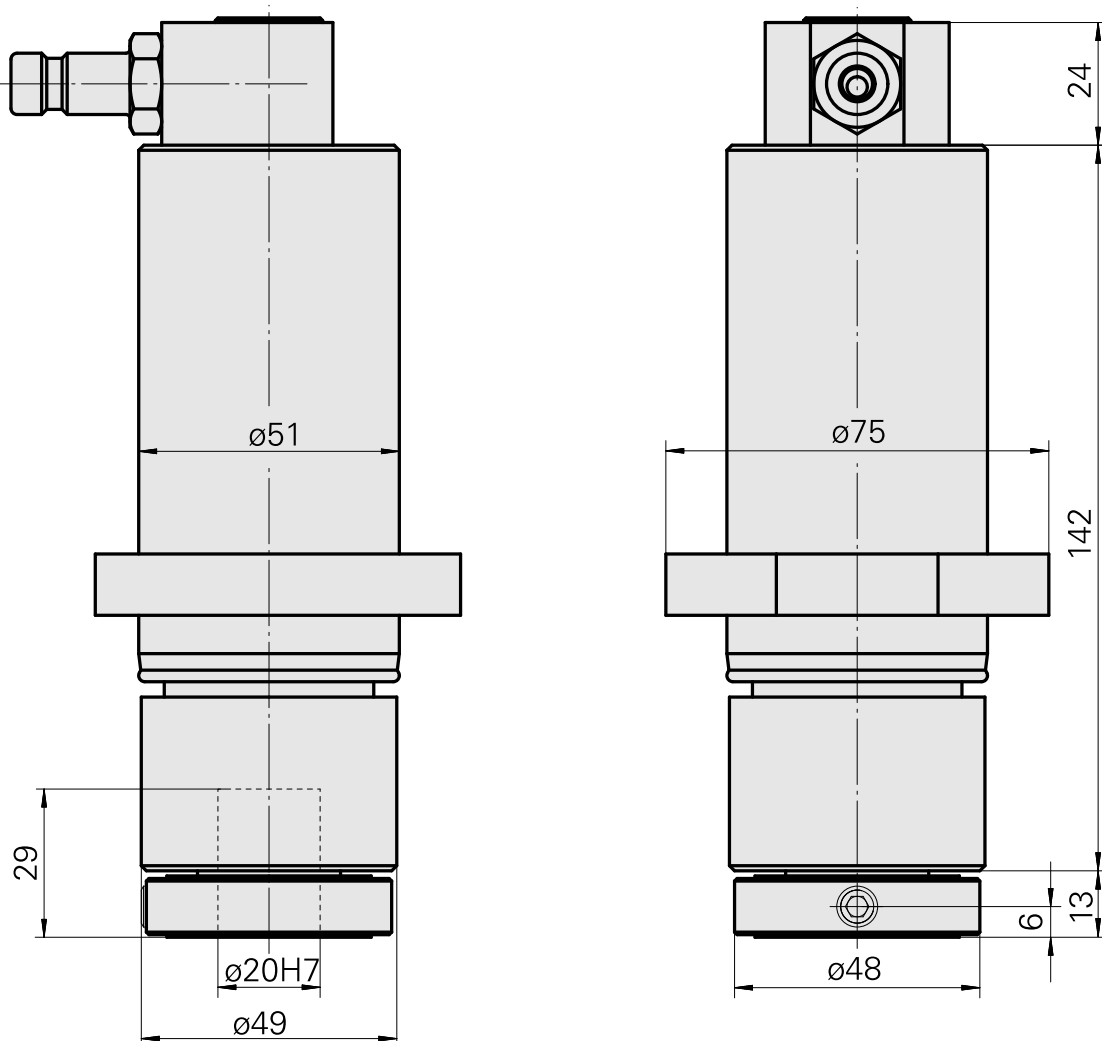
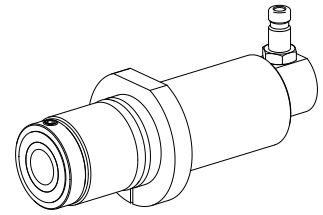


Reaming tool holder D20

Technical data

| | |
|----------------------|--|
| Drive | not live |
| Fixation MS | Clamping ring D51 |
| Cooling | internal |
| Pressure | 80 bar |
| Mounting | D20 |
| X [mm] | - |
| Y [mm] | - |
| Z [mm] | - |
| INDEX TRAUB products | MS32C • MS52C • MS32-6.2 • MS40-6 • MS40-8 • MS52-6.3 • MS32-6.3 |



Documents

No downloads available for this product

Accessories

Optional accessories

Other accessories

[Reduction](#)

Product ID : 10967092

Previous product ID : W95280.115-
