

---

## Center holder D15.4/Cone 1:7.5, elastic, live

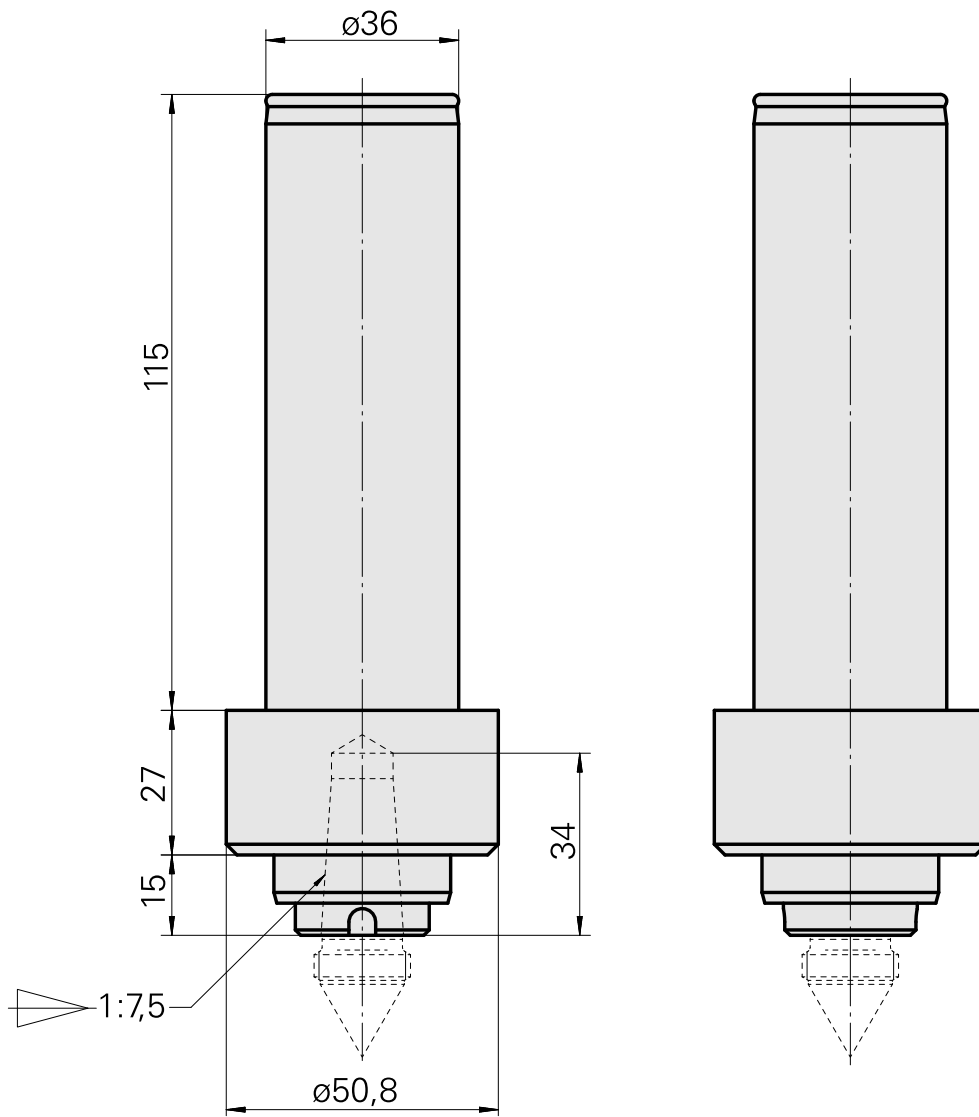
### Technical data

|                             |  |
|-----------------------------|--|
| <b>Drive</b>                | not live   |
| <b>Fixation MS</b>          | Clamping ring D36  |
| <b>Mounting</b>             | D15.4/Cone 1:7.5   |
| <b>X [mm]</b>               | –  |
| <b>Y [mm]</b>               | –  |
| <b>Z [mm]</b>               | –  |
| <b>INDEX TRAUB products</b> | MS32C • MS52C • MS32-6.2 •<br>MS40-6 • MS40-8 • MS52-6.3 •<br>MS32-6.3 |



### Note

Spring travel 4.5 mm, Yellow ring 0 - 1600 N, Green ring 1600 - 2100 N, Red ring 2100 - 3000 N



## **Documents**

No downloads available for this product

## **Accessories**

Optional accessories

### **Other accessories**

#### [Center Kegel 1:7.5](#)

Product ID : 10606287

Previous product ID : W9636-.21--

---